

**SFPFC4DW04-45-A**  
MULTIRATE, DWDM, SFP, EX Transceiver



## Features

- Transceiver unit with independent DWDM DFB Laser diode transmitter & PIN photodiode receiver
- Compliant with DWDM SFP MSA
- SFF-8472 with duplex LC receptacle
- Power dissipation < 1.2W
- Metal enclosure for lower EMI
- 3.3V Single power supply
- 100GHz ITU Grid, C Band
- Wavelength controlled within  $\pm 0.1$ nm over life and temperature
- Digital diagnostic monitoring
- 40 km with 9/125  $\mu$ m single mode fiber (SMF) of maximum interconnect distances
- Extended case operating temperature: -40°C to +85°C

## Applications

- C Band DWDM networks
- SONET/SDH networks
- Fiber channel
- Gigabit Ethernet

## 1. Description

Approved Networks DWDM SFP EX Small Form Factor Pluggable (SFP) transceivers are compatible with the Small Form Factor Pluggable Multi-Sourcing Agreement (MSA) and SFF-8472. The transceiver consists of five sections: the LD driver, the limiting amplifier, the digital diagnostic monitor, the DFB laser and the PIN. The module data link up to 40KM in 9/125um single mode fiber. It offers a simple and convenient way to interface PCBs to single mode fiber optic cables in Dense Wavelength Division Multiplexing (DWDM) applications. It is a high performance, cost effective module for serial optical data communication applications.

The optical output can be disabled by a TTL logic high-level input of Tx Disable, and the system also can disable the module via I2C. Tx Fault is provided to indicate that degradation of the laser. Loss of signal (LOS) output is provided to indicate the loss of an input optical signal of receiver or the link status with partner. The system can also get the LOS (or Link)/Disable/Fault information via I2C register access.

## 2. Pin Descriptions

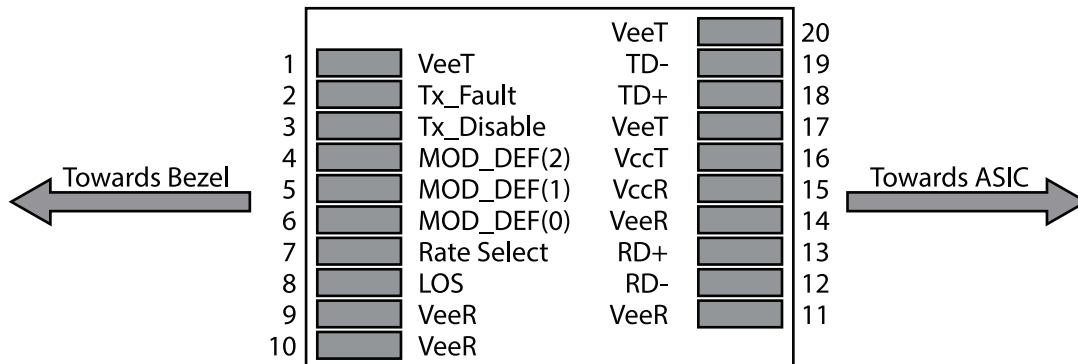


Figure 1. Pin out of Connector Block on Host Board

| Pin | Symbol      | Name/Description   | Notes |
|-----|-------------|--|-------|
| 1   | VEET        | Transmitter Ground (Common with Receiver Ground)               | 1     |
| 2   | TFAULT      | Transmitter Fault.   |       |
| 3   | TDIS        | Transmitter Disable. Laser output disabled on high or open.    | 2     |
| 4   | MOD_DEF(2)  | Module Definition 2. Data line for Serial ID.                  | 3     |
| 5   | MOD_DEF(1)  | Module Definition 1. Clock line for Serial ID.                 | 3     |
| 6   | MOD_DEF(0)  | Module Definition 0. Grounded within the module.               | 3     |
| 7   | Rate Select | No connection required   | 4     |
| 8   | LOS         | Loss of Signal indication. Logic 0 indicates normal operation. | 5     |
| 9   | VEER        | Receiver Ground (Common with Transmitter Ground)               | 1     |
| 10  | VEER        | Receiver Ground (Common with Transmitter Ground)               | 1     |
| 11  | VEER        | Receiver Ground (Common with Transmitter Ground)               | 1     |
| 12  | RD-         | Receiver Inverted DATA out. AC Coupled                         |       |
| 13  | RD+         | Receiver Non-inverted DATA out. AC Coupled                     |       |
| 14  | VEER        | Receiver Ground (Common with Transmitter Ground)               | 1     |
| 15  | VCCR        | Receiver Power Supply  |       |
| 16  | VCCT        | Transmitter Power Supply                                       |       |
| 17  | VEET        | Transmitter Ground (Common with Receiver Ground)               | 1     |
| 18  | TD+         | Transmitter Non-Inverted DATA in. AC Coupled.                  |       |
| 19  | TD-         | Transmitter Inverted DATA in. AC Coupled.                      |       |
| 20  | VEET        | Transmitter Ground (Common with Receiver Ground)               | 1     |

**Notes:**

1. Circuit ground is internally isolated from chassis ground.
2. Laser output disabled on TDIS >2.0V or open, enabled on TDIS <0.8V.
3. Should be pulled up with 4.7k - 10kohms on host board to a voltage between 2.0V and 3.6V. MOD\_DEF (0) pulls line low to indicate module is plugged in.
4. This is an optional input used to control the receiver bandwidth for compatibility with multiple data rates (most likely Fiber Channel 1x and 2x Rates). If implemented, the input will be internally pulled down with > 30kΩ resistor. The input states are:
  - Low (0 – 0.8V): Reduced Bandwidth
  - (>0.8, < 2.0V): Undefined
  - High (2.0 – 3.465V): Full Bandwidth
  - Open: Reduced Bandwidth
5. LOS is open collector output should be pulled up with 4.7k - 10kohms on host board to a voltage between 2.0V and 3.6V. Logic 0 indicates normal operation; logic 1 indicates loss of signal.

**3. Absolute Maximum Ratings**

| Parameter                 | Symbol | Min. | Typ. | Max.    | Unit |
|---------------------------|--------|------|------|---------|------|
| Storage Temperature       | Ts     | -40  |      | 85      | °C   |
| Relative Humidity         | RH     | 5    |      | 95      | %    |
| Power Supply Voltage      | VCC    | -0.5 |      | 4       | V    |
| Signal Input Voltage      |        | -0.3 |      | Vcc+0.3 | V    |
| Receiver Damage Threshold |        | +5   |      |         | dBm  |

**4. Recommended Operating Conditions**

| Parameter                    | Symbol            | Min. | Typ.      | Max. | Unit  | Notes           |
|------------------------------|-------------------|------|-----------|------|-------|-----------------|
| Case Operating Temperature   | Tcase             | -40  |           | 85   | °C    |                 |
| Power Supply Voltage         | VCC               | 3.13 | 3.3       | 3.47 | V     |                 |
| Power Supply Current         | ICC               |      |           | 360  | mA    |                 |
| Power Supply Noise Rejection |                   |      |           | 100  | mVp-p | 100Hz to 1MHz   |
| Data Rate                    |                   |      | 1250/1250 |      | Mbps  | TX Rate/RX Rate |
| Transmission Distance        |                   |      |           | 40   | KM    |                 |
| Coupled Fiber                | Single mode fiber |      |           |      |       | 9/125um SMF     |

**5. Specification of Transmitter**

| Parameter                         | Symbol                      | Min.  | Typ. | Max.  | Unit | Notes |
|-----------------------------------|-----------------------------|-------|------|-------|------|-------|
| Center Wavelength Spacing         |                             |       | 100  |       | GHz  |       |
| Center Wavelength                 | $\lambda$                   | X-100 | X    | X+100 | pm   | 1     |
| Average Output Power              | POUT                        | -1    |      | 3     | dBm  |       |
| Extinction Ratio                  | ER                          | 9     |      |       | dB   |       |
| Side Mode Suppression Ratio       | SMSR                        | 30    |      |       | dB   |       |
| Spectrum Bandwidth (-20dB)        | $\sigma$                    |       |      | 0.3   | nm   |       |
| Transmitter OFF Output Power      | POff                        |       |      | -45   | dBm  |       |
| Differential Line Input Impedance | RIN                         | 90    | 100  | 110   | Ohm  |       |
| Output Eye Mask                   | Compliant with IEEE 802.3 Z |       |      |       |      | 2     |

**Notes:**

1. X = specified ITU center wavelength.
2. Transmitter eye mask definition.

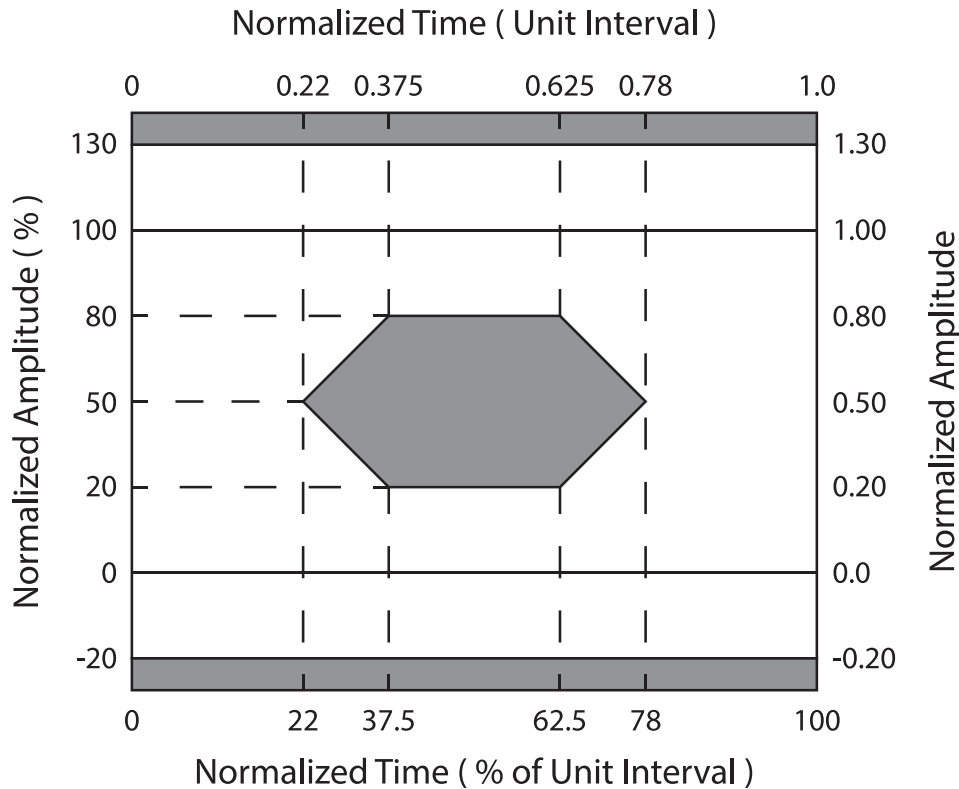


Figure 2. Transmitter Eye Mask

## 6. Specification of Receiver

| Parameter                         | Symbol         | Min. | Typ. | Max. | Unit | Notes |
|-----------------------------------|----------------|------|------|------|------|-------|
| Input Optical Wavelength          | $\lambda_{IN}$ | 1270 |      | 1610 | nm   | APD   |
| Receiver Sensitivity              | PIN            |      |      | -24  | dBm  | 1     |
| Input Saturation Power (Overload) | PSAT           | -3   |      |      | dBm  |       |
| Los Of Signal Assert              | PA             |      |      | -26  | dBm  |       |
| Los Of Signal De-assert           | PD             | -38  |      |      | dBm  | 2     |
| LOS Hysteresis                    | PA-PD          | 0.5  | 2    | 6    | dB   |       |

### Notes:

1. Measured with Light source 1550nm, ER=9dB; BER =  $<10^{-12}$  @PRBS=2<sup>23</sup>-1 NRZ
2. When LOS de-asserted, the RX data+/- output is High-level (fixed)

## 7. Electrical Interface Characteristics

| Transmitter                    |        |      |      |                      |      |        |
|--------------------------------|--------|------|------|----------------------|------|--------|
| Parameter                      | Symbol | Min. | Typ. | Max.                 | Unit | Notes  |
| Total Supply Current           | ICC    |      |      | A                    | mA   | 1      |
| Transmitter Disable Input-High | VDISH  | 2    |      | V <sub>CC</sub> +0.3 | V    |        |
| Transmitter Disable Input-Low  | VDISL  | 0    |      | 0.8                  | V    |        |
| Transmitter Fault Input-High   | VTxFH  | 2    |      | V <sub>CC</sub> +0.3 | V    |        |
| Transmitter Fault Input-Low    | VTxFL  | 0    |      | 0.8                  | V    |        |
| Receiver                       |        |      |      |                      |      |        |
| Parameter                      | Symbol | Min. | Typ. | Max.                 | Unit | Notes  |
| Total Supply Current           | ICC    |      |      | B                    | mA   | 1      |
| LOSS Output Voltage-High       | VLOSH  | 2    |      | V <sub>CC</sub> +0.3 | V    | LVTTTL |
| LOSS Output Voltage-Low        | VLOSL  | 0    |      | 0.8                  | V    |        |

### Notes:

1. A (TX) + B (RX) = 500mA (Does not include termination circuit)

## 8. Digital Diagnostic Functions

Approved Networks DWDM SFP EX transceivers support the 2-wire serial communication protocol as defined in the SFP MSA. It is very closely related to the E2PROM defined in the GBIC standard, with the same electrical specifications.

The standard SFP serial ID provides access to identification information that describes the transceiver’s capabilities, standard interfaces, manufacturer, and other information.

Additionally, Approved Networks SFP transceivers provide a unique enhanced digital diagnostic monitoring interface, which allows real-time access to device operating parameters such as transceiver temperature, laser bias current, transmitted optical power, received optical power and transceiver supply voltage. It also defines a sophisticated system of alarm and warning flags, which alerts end-users when particular operating parameters are outside of a factory set normal range.

The SFP MSA defines a 256-byte memory map in E2PROM that is accessible over a 2-wire serial interface at the 8 bit address 1010000X (A0h). The digital diagnostic monitoring interface makes use of the 8 bit address 1010001X (A2h), so the originally defined serial ID memory map remains unchanged. The interface is identical to, and is thus fully backward compatible with both the GBIC Specification and the SFP Multi Source Agreement.

The operating and diagnostics information is monitored and reported by a Digital Diagnostics Transceiver Controller (DDTC) inside the transceiver, which is accessed through a 2-wire serial interface. When the serial protocol is activated, the serial clock signal (SCL, Mod Def 1) is generated by the host. The positive edge clocks data into the SFP transceiver into those segments of the E2PROM that are not write-protected. The negative edge clocks data from the SFP transceiver. The serial data signal (SDA, Mod Def 2) is bi-directional for serial data transfer. The host uses SDA in conjunction with SCL to mark the start and end of serial protocol activation. The memories are organized as a series of 8-bit data words that can be addressed individually or sequentially. Digital diagnostics for the DWDM SFP EX are internally calibrated by default.

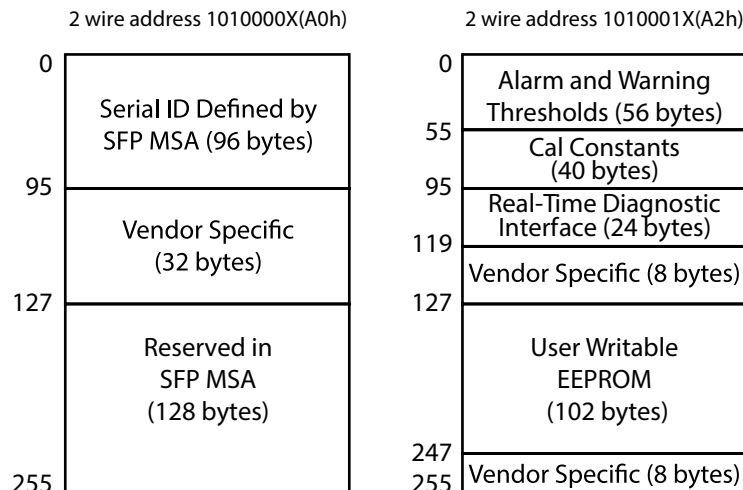


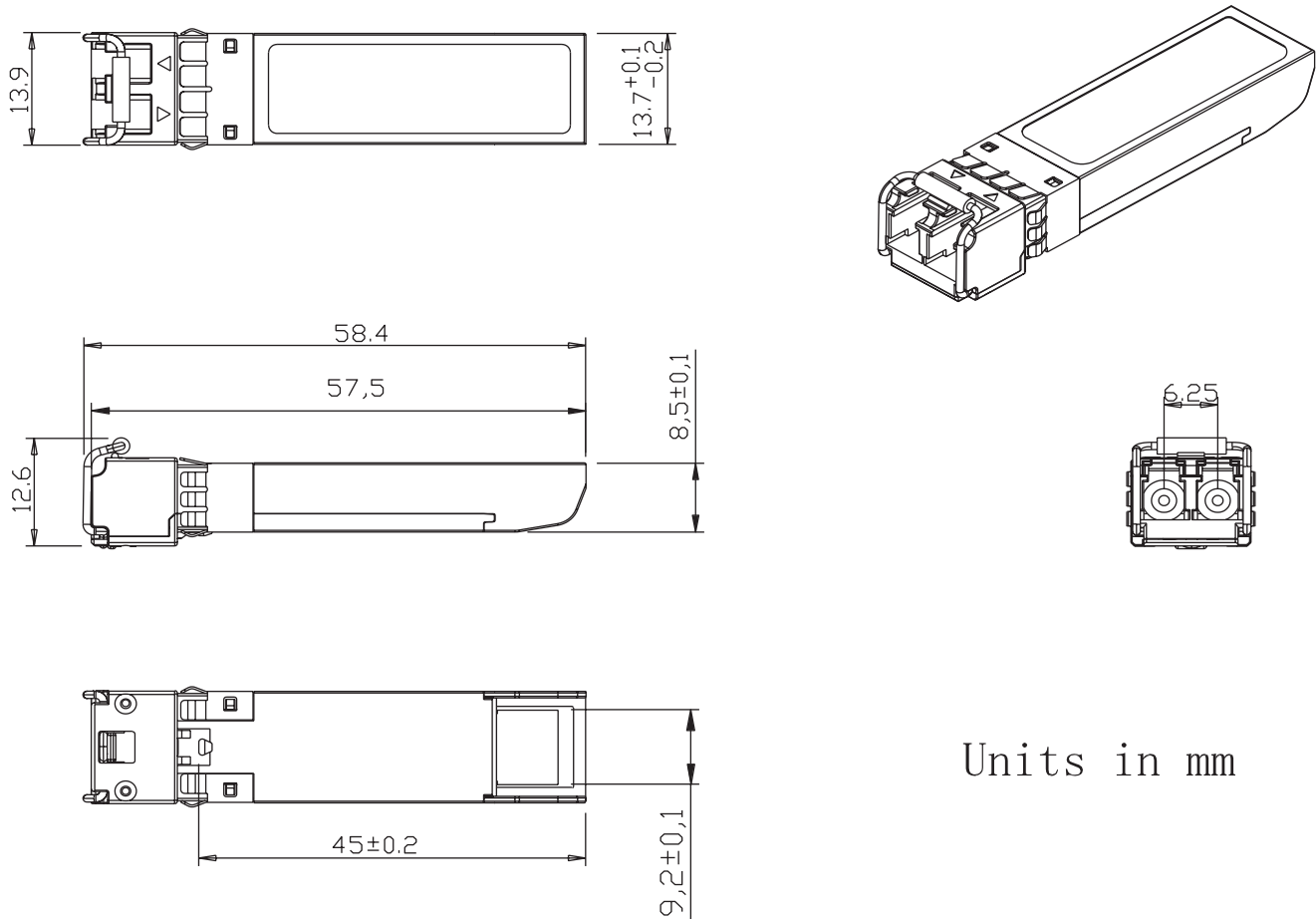
Figure 3. Diagnostic Memory Map (Specific Data Field Descriptions)

**9. Recommend Circuit Schematic**



Figure 4. Recommended Host Circuit

## 10. Mechanical Specifications



Units in mm

Figure 4. Mechanical Specifications

## 11. Contact Information

Approved Networks is a leading supplier of Network Transceivers and Connectivity products to Channel Partners, Resellers, and OEMs. With more than 9 years of direct industry experience, our products are resident in the most demanding and mission critical functional networks Worldwide. We serve as a Master Distributor to the largest CMs in the world and deploy the most rigorous testing and firmware management programs to bring the highest level of functional product to the market at a cost that makes sense.

Corporate Offices: **Approved Networks, Inc.**

Tel: 800.590.9535

Web: <http://www.approvednetworks.com>