

QSFP-40G-ER4-AN-A
40GBASE, QSFP+ ER4 Transceiver

Features

- Compliant with 40G Ethernet IEEE802.3ba and 40GBASE-ER4 Standard
- QSFP+ MSA compliant
- Compliant with QDR/DDR Infiniband data rates
- Up to 11.2Gb/s data rate per wavelength
- 4 CWDM lanes MUX/DEMUX design
- Up to 40km transmission on single mode fiber (SMF)
- Operating case temperature: 0~70oC
- Maximum power consumption 3.5W
- LC duplex connector
- RoHS compliant



Applications

- 40GBASE-ER4 Ethernet Links
- Infiniband QDR and DDR interconnects
- Client-side 40G Telecom connections

1. General Description

This product is a transceiver module designed for 30km optical communication applications. The design is compliant to 40GBASE-ER4 of the IEEE P802.3ba standard. The module converts 4 inputs channels (ch) of 10Gb/s electrical data to 4 CWDM optical signals, and multiplexes them into a single channel for 40Gb/s optical transmission. Reversely, on the receiver side, the module optically de- multiplexes a 40Gb/s input into 4 CWDM channels signals, and converts them to 4 channel output electrical data.

The central wavelengths of the 4 CWDM channels are 1271, 1291, 1311 and 1331 nm as members of the CWDM wavelength grid defined in ITU-T G694.2. It contains a duplex LC connector for the optical interface and a 148-pin connector for the electrical interface. To minimize the optical dispersion in the long-haul system, single-mode fiber (SMF) has to be applied in this module.

The product is designed with form factor, optical/electrical connection and digital diagnostic interface according to the QSFP+ Multi-Source Agreement (MSA). It has been designed to meet the harshest external operating conditions including temperature, humidity and EMI interference.

2. Functional Description

This product converts the 4-channel 10Gb/s electrical input data into CWDM optical signals (light), by a driven 4-wavelength Distributed Feedback Laser (DFB) array. The light is combined by the MUX parts as a 40Gb/s data, propagating out of the transmitter module from the SMF. The receiver module accepts the 40Gb/s CWDM optical signals input, and de-multiplexes it into 4 individual 10Gb/s channels with different wavelength. Each wavelength light is collected by a discrete avalanche photodiode (APD), and then outputted as electric data after amplified by a TIA. Figure 1 shows the functional block diagram of this product.

A single +3.3V power supply is required to power up this product. Both power supply pins VccTx and VccRx are internally connected and should be applied concurrently. As per MSA specifications the module offers 7 low speed hardware control pins (including the 2-wire serial interface): ModSelL, SCL, SDA, ResetL, LPMode, ModPrsL and IntL.

Module Select (ModSelL) is an input pin. When held low by the host, this product responds to 2-wire serial communication commands. The ModSelL allows the use of this product on a single 2-wire interface bus – individual ModSelL lines must be used.

Serial Clock (SCL) and Serial Data (SDA) are required for the 2-wire serial bus communication interface and enable the host to access the QSFP+ memory map.

The ResetL pin enables a complete reset, returning the settings to their default state, when a low level on the ResetL pin is held for longer than the minimum pulse length. During the execution of a reset the host shall disregard all status bits until it indicates a completion of the reset interrupt. The product indicates this by posting an IntL (Interrupt) signal with the Data_Not_Ready bit negated in the memory map. Note that on power up (including hot insertion) the module should post this completion of reset interrupt without requiring a reset.

Low Power Mode (LPMode) pin is used to set the maximum power consumption for the product in order to protect hosts that are not capable of cooling higher power modules, should such modules be accidentally inserted.

Module Present (ModPrsL) is a signal local to the host board which, in the absence of a product, is normally pulled up to the host Vcc. When the product is inserted into the connector, it completes the path to ground through a resistor on the host board and asserts the signal. ModPrsL then indicates its present by setting ModPrsL to a “Low” state.

Interrupt (IntL) is an output pin. “Low” indicates a possible operational fault or a status critical to the host system. The host identifies the source of the interrupt using the 2-wire serial interface. The IntL pin is an open collector output and must be pulled to the Host Vcc voltage on the Host board.

QSFP-40G-ER4-AN-A

40GBASE, QSVP+, ER4, (SM)

1271 / 1291 / 1311 / 1331 NM, 40 KM REACH, LC

3. Transceiver Block Diagram

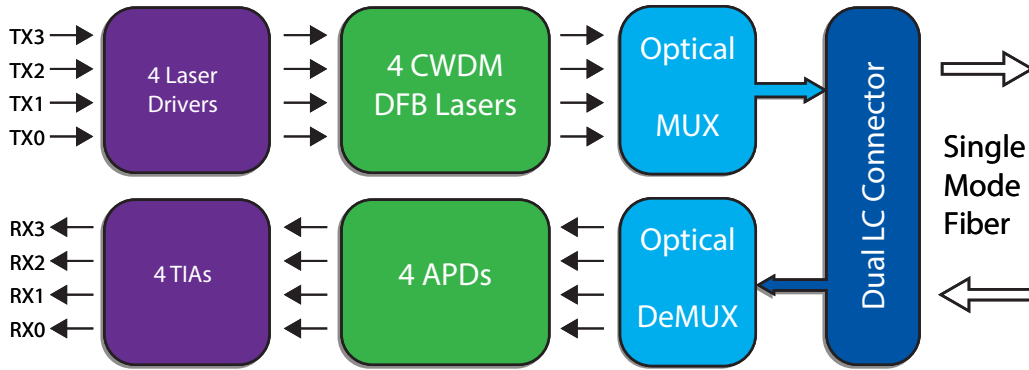


Figure 1. Transceiver Block Diagram

4. Pin Assignment and Pin Description

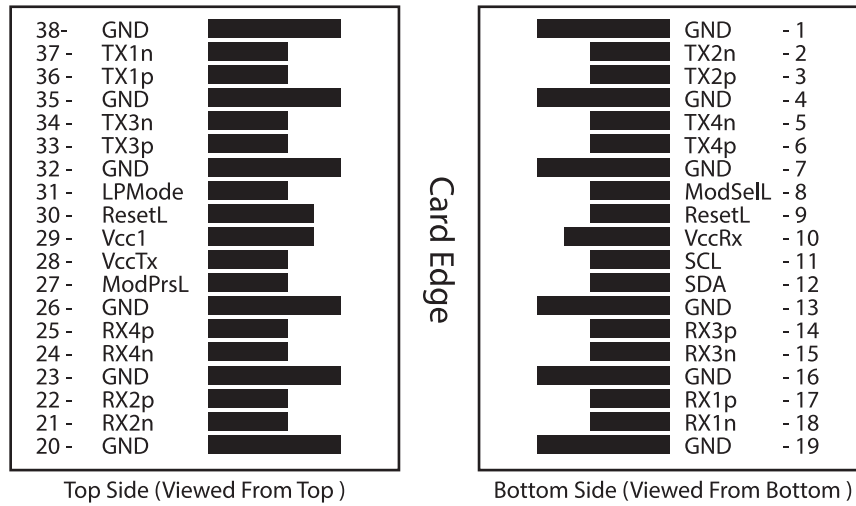


Figure 2. MSA compliant Connector

5. Pin Definition

| Pin | Logic | Symbol | Name/Description |
|-----|-------------|---------|---|
| 1 | | GND | Module Ground |
| 2 | CML-I | Tx2n | CH2 Transmitter Inverted Data Input |
| 3 | CML-I | Tx2p | CH2 Transmitter Non-inverted Data Input |
| 4 | | GND | Module Ground |
| 5 | CML-I | Tx4n | CH4 Transmitter Inverted Data Input |
| 6 | CML-I | Tx4p | CH4 Transmitter Non-inverted Data Input |
| 7 | | GND | Module Ground |
| 8 | LVTTL-I | ModSelL | Module Select |
| 9 | LVTTL-I | ResetL | Module Reset |
| 10 | | VccRX | +3.3V Power Supply Receiver |
| 11 | LVC MOS-I/O | SCL | 2-wire serial interface clock |

QSFP-40G-ER4-AN-A

40GBASE, QSFP+, ER4, (SM)

1271 / 1291 / 1311 / 1331 NM, 40 KM REACH, LC

| Pin | Logic | Symbol | Name/Description |
|-----|-------------|---------|---|
| 12 | LVC MOS-I/O | SDA | 2-wire serial interface data |
| 13 | | GND | Module Ground |
| 14 | CML-O | Rx3p | CH3 Receiver Non-inverted Data Input |
| 15 | CML-O | Rx3n | CH3 Receiver Inverted Data Input |
| 16 | | GND | Module Ground |
| 17 | CML-O | Rx1p | CH1 Receiver Non-inverted Data Input |
| 18 | CML-O | Rx1n | CH1 Receiver Inverted Data Input |
| 19 | | GND | Module Ground |
| 20 | | GND | Module Ground |
| 21 | CML-O | Rx2n | CH2 Receiver Inverted Data Input |
| 22 | CML-O | Rx2p | CH2 Receiver Non-inverted Data Input |
| 23 | | GND | Module Ground |
| 24 | CML-O | Rx4n | CH4 Receiver Inverted Data Input |
| 25 | CML-O | Rx4p | CH4 Receiver Non-inverted Data Input |
| 26 | | GND | Module Ground |
| 27 | LVTTL-O | ModPrsL | Module Present |
| 28 | LVTTL-O | IntL | Interrupt |
| 29 | | VccTX | +3.3V Power Supply Transmitter |
| 30 | | Vcc1 | +3.3V Power Supply |
| 31 | LVTTL-I | LPMODE | Low Power Mode |
| 32 | | GND | Module Ground |
| 33 | CML-I | Tx3p | CH3 Transmitter Non-inverted Data Input |
| 34 | CML-I | Tx3n | CH3 Transmitter Inverted Data Input |
| 35 | | GND | Module Ground |
| 36 | CML-I | Tx1p | CH1 Transmitter Non-inverted Data Input |
| 37 | CML-I | Tx1n | CH1 Transmitter Inverted Data Input |
| 38 | | GND | Module Ground |

Notes:

1. GND is the symbol for signal and supply (power) common for QSFP+ modules. All are common within the QSFP+ module and all module voltages are referenced to this potential unless otherwise noted. Connect these directly to the host board signal common ground plane.
2. VccRx, Vcc1 and VccTx are the receiving and transmission power suppliers and shall be applied concurrently. Recommended host board power supply filtering is shown in Figure 3 below. Vcc Rx, Vcc1 and Vcc Tx may be internally connected within the QSFP+ transceiver module in any combination. The connector pins are each rated for a maximum current of 500mA.

6. Recommended Power Supply Filter

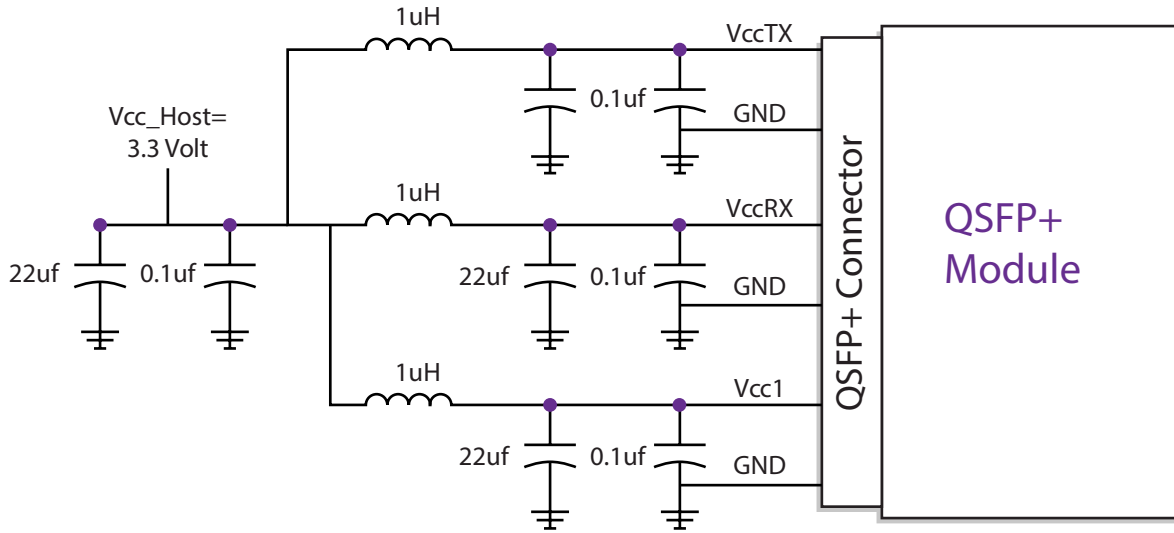


Figure 3. Recommended Power Supply Filter

7. Absolute Maximum Ratings

It has to be noted that the operation in excess of any individual absolute maximum ratings might cause permanent damage to this module.

| Parameter | Symbol | Min. | Max. | Unit | Notes |
|-----------------------------|--------|------|------|------|-------|
| Storage Temperature | Ts | -40 | 85 | °C | - |
| Operating Case Temperature | Top | 0 | 70 | °C | - |
| Power supply Voltage | Vcc | -0.5 | 3.6 | V | - |
| Relative Humidity | RH | 0 | 85 | % | - |
| Maximum Optical Input Power | Pin | 3.8 | | dBm | - |

8. Recommended Operating Conditions and Power Supply Requirements

| Parameter | Symbol | Min. | Typ. | Max. | Unit |
|----------------------------|--------|-------|---------|-------|------|
| Operating Case Temperature | TOP | 0 | | +70 | °C |
| Power Supply Voltage | Vcc | 3.135 | 3.3 | 3.465 | V |
| Data Rate, Each Lane | | | 10.3125 | 11.2 | Gb/s |
| Control Input Voltage High | | 2 | | Vcc | V |
| Control Input Voltage Low | | 0 | | 0.8 | V |
| Link Distance with G625 | D | | | 40 | Km |

9. Electrical Characteristics

The following electrical characteristics are defined over the Recommended Operating Environment unless otherwise specified.

| Parameter | Symbol | Min | Typical | Max | Unit | Notes |
|--|---------------------|---------------------------|---------|------|------------------|---------------------------------|
| Power Consumption | | | | 3.5 | W | |
| Supply Current | I _{cc} | | | 1.1 | A | |
| Transceiver Power-on Initialization Time | | | | 2000 | ms | 1 |
| Transmitter (each Lane) | | | | | | |
| Parameter | Symbol | Min | Typical | Max | Unit | Notes |
| Single-ended Input Voltage Tolerance (Note 2) | | -0.3 | | 4.0 | V | V Referred to TP1 signal common |
| AC Common Mode Input Voltage Tolerance (RMS) | | 15 | | | mV | |
| Differential Input Voltage Swing Threshold | | 50 | | | mV _{pp} | LOSA Threshold |
| Differential Input Voltage Swing | V _{in,pp} | 190 | | 700 | mV _{pp} | |
| Differential Input Impedance | Z _{in} | 90 | 100 | 110 | Ω | |
| Differential Input Return Loss | | See IEEE 802.3ba 86A.4.11 | | | dB | 10MHz-11.1GHz |
| J2 Jitter Tolerance | Jt2 | 0.17 | | | UI | |
| J9 Jitter Tolerance | Jt9 | 0.29 | | | UI | |
| Data Dependent Pulse Width Shrinkage (DDPWS) Tolerance | | 0.07 | | | UI | |
| Eye Mask Coordinates {X1, X2 Y1, Y2} | | 0.11, 0.31 95, 350 | | | UImV | Hit Ratio = 5x10 ⁻⁵ |
| Receiver (each Lane) | | | | | | |
| Parameter | Symbol | Min | Typical | Max | Unit | Notes |
| Single-ended Output Voltage | | -0.3 | | 4.0 | V | Referred to signal common |
| AC Common Mode Output Voltage (RMS) | | | | 7.5 | mV | |
| Differential Output Voltage Swing | V _{out,pp} | 300 | | 850 | mV _{pp} | |
| Differential Output Impedance | Z _{out} | 90 | 100 | 110 | ohm | |

| Receiver (each Lane) | | | | | | |
|--------------------------------------|--------|----------------------------|---------|------|------|--------------------|
| Parameter | Symbol | Min | Typical | Max | Unit | Notes |
| Termination Mismatch at 1MHz | | | | 5 | % | |
| Differential Output Return Loss | | See IEEE 802.3ba 86A.4.2.1 | | | dB | 10MHz-11.1GHz |
| Common Mode Output Return Loss | | See IEEE 802.3ba 86A.4.2.2 | | | dB | 10MHz-11.1GHz |
| Output Transition Time | | 28 | | | ps | 20% to 80% |
| J2 Jitter Output | Jo2 | | | 0.42 | UI | |
| J9 Jitter Output | Jo9 | | | 0.65 | UI | |
| Eye Mask Coordinates {X1, X2 Y1, Y2} | | 0.29, 0.5 150, 425 | | | UImV | Hit Ratio = 5x10-5 |

Notes:

1. Power-on Initialization Time is the time from when the power supply voltages reach and remain above the minimum recommended operating supply voltages to the time when the module is fully functional.
2. The single ended input voltage tolerance is the allowable range of the instantaneous input signals.

10. Optical Characteristics

All parameters are specified under the recommended operating conditions with PRBS31 data pattern unless otherwise specified.

| Parameter | Symbol | Min | Typ | Max | Unit | Notes |
|---|----------|--------|------|--------|------|-------|
| Wavelength Assignment | L0 | 1264.5 | 1271 | 1277.5 | nm | |
| | L1 | 1284.5 | 1291 | 1297.5 | nm | |
| | L2 | 1304.5 | 1311 | 1317.5 | nm | |
| | L3 | 1324.5 | 1331 | 1337.5 | nm | |
| Transmitter | | | | | | |
| Parameter | Symbol | Min | Typ | Max | Unit | Notes |
| Side Mode Suppression Ratio | SMSR | 30 | | | dB | |
| Total Average Launch Power | PT | | | 10.5 | dBm | |
| Average Launch Power, each Lane | PAVG | -3.7 | | 4.5 | dBm | |
| Optical Modulation Amplitude (OMA), each Lane | POMA | -0.7 | | 5 | dBm | 1 |
| Difference in Launch Power between any Two Lanes (OMA) | Ptx,diff | | | 4.7 | dB | |
| Launch Power in OMA minus Transmitter and Dispersion Penalty (TDP), each Lane | OMA-TDP | -1.5 | | | dBm | |

| Transmitter | | | | | | |
|---|----------|-------------------------------|------|-------|-------|-----------------|
| Parameter | Symbol | Min | Typ | Max | Unit | Notes |
| TDP, each Lane | TDP | | | 2.6 | dB | |
| Extinction Ratio | ER | 5.5 | | | dB | |
| Relative Intensity Noise | RIN | | | -128 | dB/Hz | 12dB reflection |
| Optical Return Loss Tolerance | TOL | | | 20 | dB | |
| Transmitter Reflectance | RT | | | -12 | dB | |
| Transmitter Eye Mask Definition {X1, X2, X3, Y1, Y2, Y3} | | {0.25,0.4,0.45,0.25,0.28,0.4} | | | | |
| Average Launch Power OFF Transmitter, each Lane | Poff | | | -30 | dBm | |
| Receiver | | | | | | |
| Parameter | Symbol | Min | Typ | Max | Unit | Notes |
| Damage Threshold, each Lane | THd | 3.8 | | | dBm | 2 |
| Average Power at Receiver Input, each Lane | | -18.5 | | -1.5 | dBm | |
| Receiver Reflectance | RR | | | -26 | dB | |
| Receive Power (OMA), each Lane | | | | -1 | dBm | |
| Stressed Receiver Sensitivity (OMA), each Lane | | | | -15.8 | dBm | 3 |
| Receiver Sensitivity (OMA), each Lane | SEN | | | -18 | dBm | |
| Difference in Receive Power between any Two Lanes (OMA) | Prx,diff | | | 7 | dB | |
| LOS Assert | LOSA | -35 | | | dBm | |
| LOS Deassert | LOSD | | | -20 | dBm | |
| LOS Hysteresis | LOSH | 0.5 | | | dB | |
| Receiver Electrical 3 dB upper Cut-off Frequency, each Lane | Fc | | | 12.3 | GHz | |
| Conditions of Stress Receiver Sensitivity Test (Note 4) | | | | | | |
| Vertical Eye Closure Penalty, each Lane | | | 2.2 | | dB | |
| Stressed Eye J2 Jitter, each Lane | | | 0.3 | | UI | |
| Stressed Eye J9 Jitter, each Lane | | | 0.47 | | UI | |

Notes:

1. Even if the TDP < 0.8 dB, the OMA min must exceed the minimum value specified here.

2. The receiver shall be able to tolerate, without damage, continuous exposure to a modulated optical input signal having this power level on one lane. The receiver does not have to operate correctly at this input power.
3. Measured with conformance test signal at receiver input for BER = 1x10⁻¹².
4. Vertical eye closure penalty and stressed eye jitter are test conditions for measuring stressed receiver sensitivity. They are not characteristics of the receiver.

11. Digital Diagnostic Functions

The following digital diagnostic characteristics are defined over the normal operating conditions unless otherwise specified.

| Parameter | Symbol | Min | Max | Unit | Notes |
|--|-----------|------|-----|------|----------------------------|
| Temperature monitor absolute error | DMI_Temp | -3 | 3 | °C | Over operating temperature |
| Supply voltage monitor absolute error | DMI_VCC | -0.1 | 0.1 | V | Full operating range |
| Channel RX power monitor absolute error | DMI_RX_Ch | -2 | 2 | dB | 1 |
| Channel Bias current monitor DMI_Ibias_Ch | -10% | 10% | mA | | |
| Channel TX power monitor absolute error | DMI_TX_Ch | -2 | 2 | dB | 1 |

Notes:

1. Due to measurement accuracy of different single mode fibers, there could be an additional +/-1 dB fluctuation, or a +/- 3 dB total accuracy.

12. Mechanical Dimensions

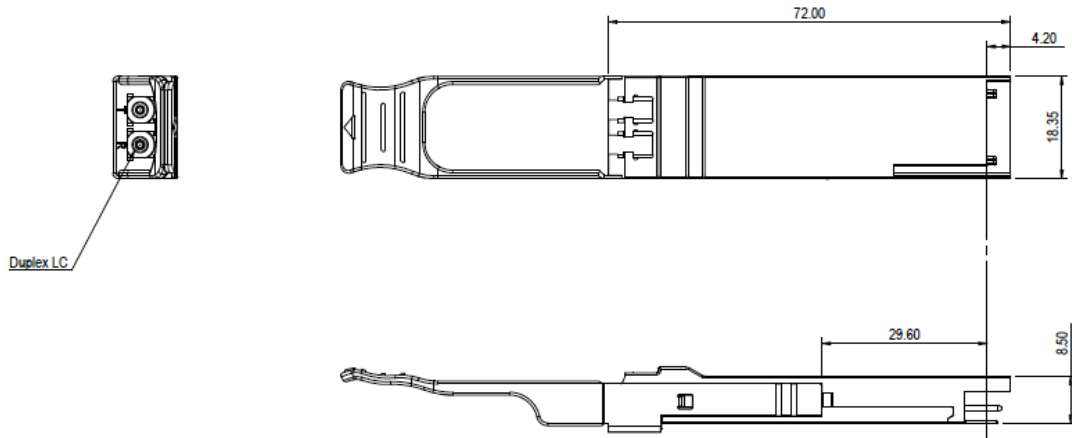


Figure 4. Mechanical Outline

13. ESD

This transceiver is specified as ESD threshold 1kV for SFI pins and 2kV for all other electrical input pins, tested per MIL-STD-883, Method 3015.4 /JESD22-A114-A (HBM). However, normal ESD precautions are still required during the handling of this module. This transceiver is shipped in ESD protective packaging. It should be removed from the packaging and handled only in an ESD protected environment.

14. Laser Safety

This is a Class 1 Laser Product according to IEC 60825-1:2007. This product complies with 21 CFR 1040.10 and 1040.11 except for deviations pursuant to Laser Notice No. 50, dated (June 24, 2007).

15. Contact Information

Approved Networks is a leading supplier of Network Transceivers and Connectivity products to Channel Partners, Resellers, and OEMs. With more than 9 years of direct industry experience, our products are resident in the most demanding and mission critical functional networks Worldwide. We serve as a Master Distributor to the largest CMs in the world and deploy the most rigorous testing and firmware management programs to bring the highest level of functional product to the market at a cost that makes sense.

Corporate Offices: **Approved Networks, Inc.**

Tel: 800.590.9535

Web: <http://www.approvedoptics.com>