

AN-CWDM-SFP-31-80

1GBASE, SFP, CWDM, ZX, (SM)
1270 - 1610 NM, 80 KM REACH, LC

AN-CWDM-SFP-31-80

1GBASE, SFP, CWDM, ZX Transceiver

Features

- Up to 1.25Gb/s Data Links
- Hot-Pluggable
- Duplex LC connector
- Up to 80km on 9/125µm SMF
- 1270nm~1610nm DFB laser transmitter
- APD Receiver
- Single +3.3V Power Supply
- Monitoring Interface Compliant with SFF-8472
- Low power dissipation <1W typically
- Commercial operating temperature range:
0°C to 70°C
- RoHS compliant and Lead Free



Applications

- Metro/Access Networks
- 1.25 Gb/s 1000Base-ZX Ethernet
- 1×Fibre Channel
- CWDM Networks

1. Description

Approved Networks 1GBASE-SFP-CWDM-ZX Transceiver is a high performance, cost effective module which has a duplex LC optics interface. Standard AC coupled CML for high speed signal and LVTTTL control and monitor signals. The receiver section uses an APD receiver and the transmitter uses a CWDM DFB laser, up to 19dB link budget ensure this module 1000Base Ethernet 80km application.

2. Absolute Maximum Ratings

| Parameter | Symbol | Min. | Typ. | Max. | Unit |
|----------------------|--------|------|------|------|------|
| Storage Temperature | Ts | -40 | | 85 | °C |
| Relative Humidity | RH | 0 | | 85 | % |
| Power Supply Voltage | VCC | -0.5 | | 4 | V |

3. Recommended Operating Environment

| Parameter | Symbol | Min | Typ | Max | Unit |
|---------------------------------------|--------------------|-------|-----|---------------------|------|
| Case operating Temperature Commercial | TC | 0 | | 70 | °C |
| Supply Voltage | VCC | 3.135 | | 3.465 | V |
| Supply Current | Icc | | | 300 | mA |
| Inrush Current | I _{surge} | | | I _{cc} +30 | mA |
| Maximum Power | P _{max} | | | 1 | W |

4. Electrical Characteristics

(TOP = -40 to 85°C, VCC = 3.135 to 3.465 Volts)

| Transmitter Section: | | | | | | |
|--------------------------------|-----------------------|----------------------|-----|----------------------|------------------|------|
| Parameter | Symbol | Min | Typ | Max | Unit | Note |
| Input differential impedance | R _{in} | 90 | 100 | 110 | Ohm | 1 |
| Single ended data input swing | V _{in PP} | 250 | | 1200 | mV _{pp} | |
| Transmit Disable Voltage | VD | V _{cc} -1.3 | | V _{cc} | V | 2 |
| Transmit Enable Voltage | VEN | V _{ee} | | V _{ee} +0.8 | V | |
| Transmit Disable Assert Time | T _{dassert} | | | 10 | us | |
| Receiver Section: | | | | | | |
| Parameter | Symbol | Min | Typ | Max | Unit | Note |
| Single ended data output swing | V _{out,pp} | 250 | | 800 | mv | 3 |
| LOS Fault | V _{losfault} | V _{cc} -0.5 | | V _{CC_host} | V | 5 |
| LOS Normal | V _{losnorm} | V _{ee} | | V _{ee} +0.5 | V | 5 |
| Power Supply Rejection | PSR | 100 | | | mV _{pp} | 6 |

Notes:

1. Or open circuit.
2. Into 100 ohm differential termination.
3. 20 – 80 %

4. LOS is LVTTTL. Logic 0 indicates normal operation; logic 1 indicates no signal detected.

All transceiver specifications are compliant with a power supply sinusoidal modulation of 20 Hz to 1.5MHz up to specified value applied through the power supply filtering network shown on page 23 of the Small Form-factor Pluggable (SFP) Transceiver Multi-Source Agreement (MSA), September 14, 2000.

5. Optical Parameters

(TOP = -40 to 85°C, VCC = 3.135 to 3.465 Volts)

| Transmitter Section: | | | | | | |
|--|---|-------------|-----------|-------------|-------|-------|
| Parameter | Symbol | Min | Typ | Max | Unit | Notes |
| Center Wavelength | λ_c | $\lambda-3$ | λ | $\lambda+3$ | nm | |
| Spectral Width | σ | | | 1 | nm | |
| Side Mode Supression Ratio | SSRmin | 30 | | | dB | |
| Optical Output Power | Pout | -5 | | 0 | dBm | 1 |
| Extinction Ratio | ER | 9 | | | dB | |
| Optical Rise/Fall Time | tr / tf | | | 260 | ps | 2 |
| Relative Intensity Noise | RIN | | | -120 | dB/Hz | |
| Output Eye Mask | Compliant with IEEE802.3 z (class 1 laser safety) | | | | | |
| Receiver Section: | | | | | | |
| Parameter | Symbol | Min | Typ | Max | Unit | Notes |
| Optical Input Wavelength | λ_c | 1270 | | 1610 | nm | |
| Receiver Overload | Pol | -7 | | | dBm | 4 |
| RX Sensitivity | Sen | | | -26 | dBm | 4 |
| RX_LOS Assert | LOS A | -40 | | | dBm | |
| RX_LOS De-assert | LOS D | | | -27 | dBm | |
| RX_LOS Hysteresis | LOS H | 0.5 | | | dB | |
| General Specifications: | | | | | | |
| Parameter | Symbol | Min | Typ | Max | Unit | Notes |
| Data Rate | BR | | 1.25 | | Gb/s | |
| Bit Error Rate | BER | | | 10^{-12} | | |
| Max. Supported Link Length on 9/125 μ m SMF@1.25Gb/s | LMAX | | 40 | | Km | |
| Total System Budget | LB | 19 | | | dB | |

Notes:

1. The optical power is launched into SMF.
2. 20-80%.

3. Jitter measurements taken using Agilent OMNIBERT 718 in accordance with GR-253.
4. Measured with PRBS 2^{7-1} at 10^{-12} BER

6. Pin Assignment

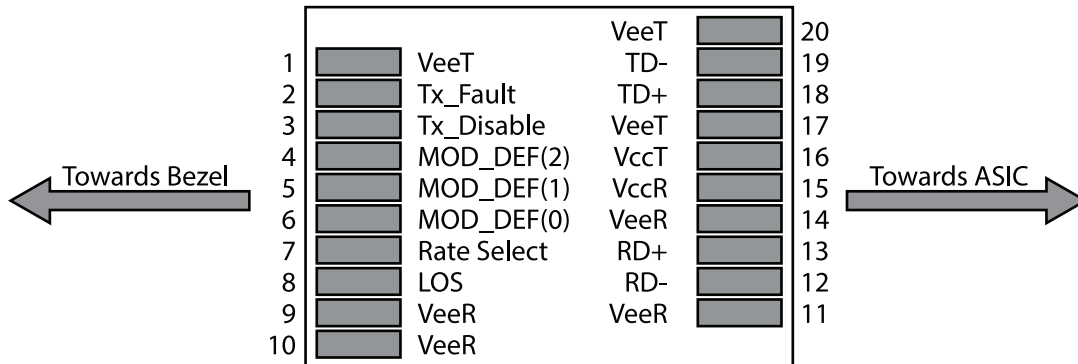


Figure 1. Pin out of Connector Block on Host Board

7. Pin Descriptions

| Pin # | Name | Function | Plug Seq | Notes |
|-------|-------------|------------------------------|----------|-------|
| 1 | VeeT | Transmitter Ground | 1 | 1 |
| 2 | TX Fault | Transmitter Fault Indication | 3 | |
| 3 | TX Disable | Transmitter Disable | 3 | 2 |
| 4 | MOD-DEF2 | Module Definition | 2 | 3 |
| 5 | MOD-DEF1 | Module Definition 1 | 3 | 3 |
| 6 | MOD-DEF0 | Module Definition 0 | 3 | 3 |
| 7 | Rate Select | Not Connected | 3 | 4 |
| 8 | LOS | Loss of Signal | 3 | 5 |
| 9 | VeeR | Receiver Ground | 1 | 1 |
| 10 | VeeR | Receiver Ground | 1 | 1 |
| 11 | VeeR | Receiver Ground | 1 | |
| 12 | RD- | Inv. Received Data Out | 3 | 6 |
| 13 | RD+ | Received Data Out | 3 | 6 |
| 14 | VeeR | Receiver Ground | 3 | 1 |
| 15 | VccR | Receiver Power | 2 | 1 |
| 16 | VccT | Transmitter Power | 2 | |
| 17 | VeeT | Transmitter Ground | 1 | |
| 18 | TD+ | Transmit Data In | 3 | 6 |
| 19 | TD- | Inv. Transmit In | 3 | 6 |
| 20 | VeeT | Transmitter Ground | 1 | |

Notes:

1. Circuit ground is internally isolated from chassis ground.
2. Laser output disabled on TDIS >2.0V or open, enabled on TDIS <0.8V.
3. Should be pulled up with 4.7k - 10 kohms on host board to a voltage between 2.0V and 3.6V. MOD_DEF(0) pulls line low to indicate module is plugged in.
4. Rate select is not used
5. LOS is open collector output. Should be pulled up with 4.7k – 10 kohms on host board to a voltage between 2.0V and 3.6V. Logic 0 indicates normal operation; logic 1 indicates loss of signal.
6. 6. AC Coupled

8. SFP Module EEPROM Information and Management

The SFP modules implement the 2-wire serial communication protocol as defined in the SFP -8472. The serial ID information of the SFP modules and Digital Diagnostic Monitor parameters can be accessed through the I2C interface at address A0h and A2h. The memory is mapped in Table 1. Detailed ID information (A0h) is listed in Table 2. And the DDM specification at address A2h. For more details of the memory map and byte definitions, please refer to the SFF-8472, "Digital Diagnostic Monitoring Interface for Optical Transceivers". The DDM parameters have been internally calibrated.

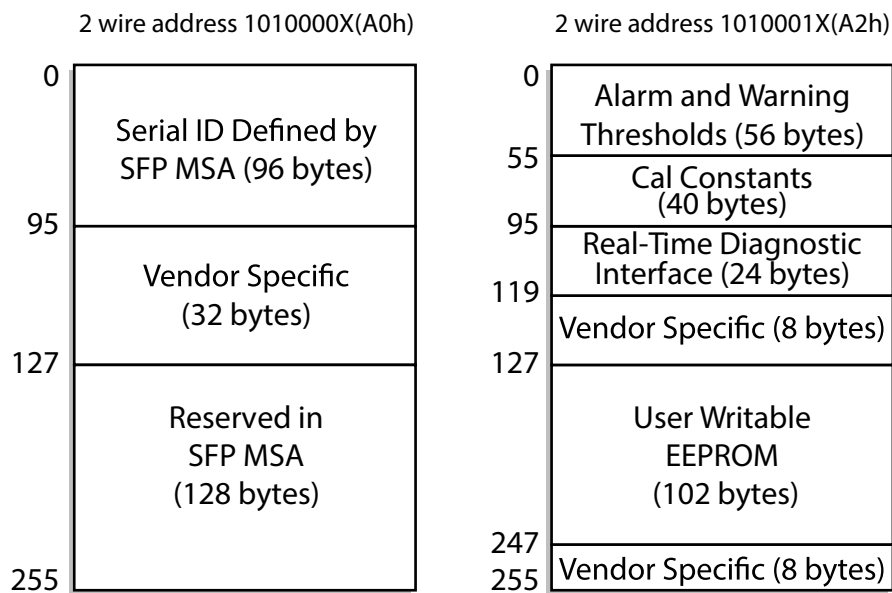


Table 1. Digital Diagnostic Memory Map (Specific Data Field Descriptions)

| Base ID Fields | | | |
|--------------------|---------------|----------------|---|
| Data Address | Length (Byte) | Name of Length | Description and Contents |
| 0 | 1 | Identifier | Type of Serial transceiver (03h=SFP) |
| 1 | 1 | Reserved | Extended identifier of type serial transceiver (04h) |
| 2 | 1 | Connector | Code of optical connector type (07=LC) |
| 3-10 | 8 | Transceiver | |
| 11 | 1 | Encoding | NRZ(03h) |
| 12 | 1 | BR, Nominal | Nominal baud rate, unit of 100Mbps |
| 13-14 | 2 | Reserved | (0000h) |
| 15 | 1 | Length(9um) | Link length supported for 9/125um fiber, units of 100m |
| 16 | 1 | Length(50um) | Link length supported for 50/125um fiber, units of 10m |
| 17 | 1 | Length(62.5um) | Link length supported for 62.5/125um fiber, units of 10m |
| 18 | 1 | Length(Copper) | Link length supported for copper, units of meters |
| 19 | 1 | Reserved | |
| 20-35 | 16 | Vendor Name | SFP vendor name |
| 36 | 1 | Reserved | |
| 37-39 | 3 | Vendor OUI | SFP transceiver vendor OUI ID |
| 40-55 | 16 | Vendor PN | Part Number (ASCII) |
| 56-59 | 4 | Vendor rev | Revision level for part number |
| 60-62 | 3 | Reserved | |
| 63 | 1 | CCID | Least significant byte of sum of data in address 0-62 |
| Extended ID Fields | | | |
| Data Address | Length (Byte) | Name of Length | Description and Contents |
| 64-65 | 2 | Option | Indicates which optical SFP signals are implemented (001Ah = LOS, TX_FAULT, TX_DISABLE all supported) |
| 66 | 1 | BR, max | Upper bit rate margin, units of % |
| 67 | 1 | BR, min | Lower bit rate margin, units of % |
| 68-83 | 16 | Vendor SN | Serial number (ASCII) |
| 84-91 | 8 | Date code | Manufacturing date code |
| 92-94 | 3 | Reserved | |
| 95 | 1 | CCEX | Check code for the extended ID Fields (addresses 64 to 94) |

| Vendor Specific ID Fields | | | |
|---------------------------|---------------|----------------|---------------------------------|
| Data Address | Length (Byte) | Name of Length | Description and Contents |
| 96-127 | 32 | Readable | Vendor specific data, read only |
| 128-255 | 128 | Reserved | Reserved for SFF-8079 |

Table 2 - EEPROM Serial ID Memory Contents (A0h)

9. Digital Diagnostic Monitor Characteristics

| Data Address | Parameter | Accuracy | Unit |
|--------------|----------------------------------|----------|------|
| 96-97 | Transceiver Internal Temperature | ±3.0 | °C |
| 98-99 | VCC3 Internal Supply Voltage | ±3.0 | % |
| 100-101 | Laser Bias Current | ±10 | % |
| 102-103 | Tx Output Power | ±3.0 | dB |
| 104-105 | Rx Input Power | ±3.0 | dB |

10. Regulatory Compliance

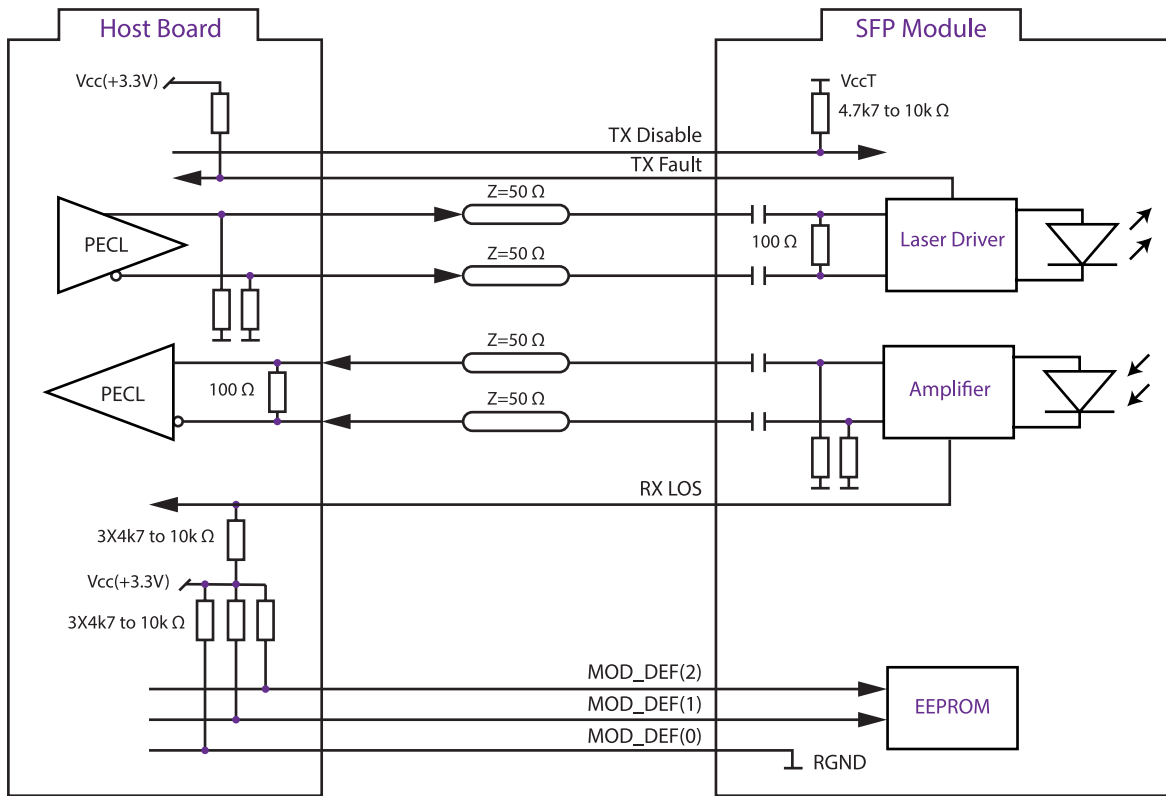
This unit complies with international Electromagnetic Compatibility (EMC) and international safety requirements and standards (see details in Table following).

| | | |
|---|--|--|
| Electrostatic Discharge (ESD) to the Electrical Pins | MIL-STD-883E Method 3015.7 | Class 1(>1000 V) |
| Electrostatic Discharge (ESD) to the Duplex LC Receptacle | IEC 61000-4-2 GR-1089-CORE | Compatible with standards |
| Electromagnetic Interference (EMI) | FCC Part 15 Class B EN55022 Class B (CISPR 22B) VCCI Class B | Compatible with standards |
| Laser Eye Safety | FDA 21CFR 1040.10 and 1040.11 EN60950, EN (IEC) 60825-1,2 | Compatible with Class 1 laser product. |

AN-CWDM-SFP-31-80

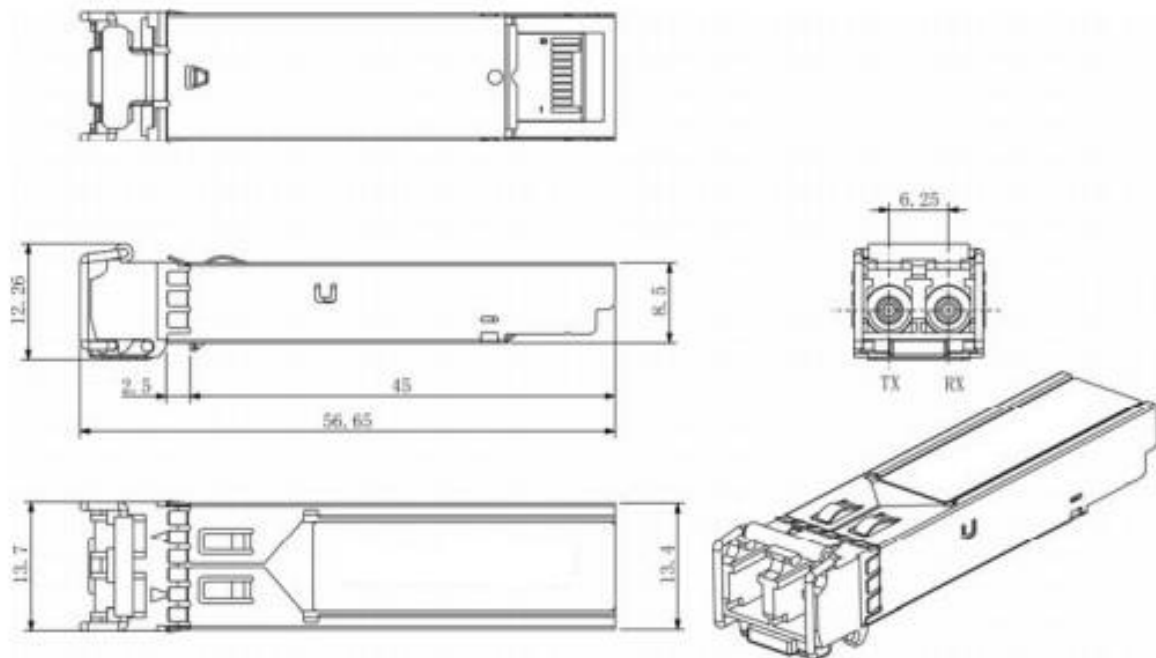
1GBASE, SFP, CWDM, ZX, (SM)
1270 - 1610 NM, 80 KM REACH, LC

11. Recommend Circuit Schematic



SFP Host Recommended Circuit

12. Mechanical Specifications



AN-CWDM-SFP-31-80

1GBASE, SFP, CWDM, ZX, (SM)

1270 - 1610 NM, 80 KM REACH, LC

13. Contact Information

Approved Networks is a leading supplier of Network Transceivers and Connectivity products to Channel Partners, Resellers, and OEMs. With more than 9 years of direct industry experience, our products are resident in the most demanding and mission critical functional networks Worldwide. We serve as a Master Distributor to the largest CMs in the world and deploy the most rigorous testing and firmware management programs to bring the highest level of functional product to the market at a cost that makes sense.

Corporate Offices: **Approved Networks, Inc.**

Tel: 800.590.9535

Web: <http://www.approvednetworks.com>