

## 15454-SFP-200-A

100BASE, SFP, FX, (SM)  
1310 NM, 2 KM REACH, LC

## 15454-SFP-200-A

100BASE, SFP, FX Transceiver

### Features

- Up to 155Mb/s Data Links
- Hot-Pluggable
- Duplex LC connector
- Up to 2 km on 50/125µm MMF
- 1310nm FP laser transmitter
- Single +3.3V Power Supply
- Low power dissipation <1W typically
- Commercial operating temperature range:  
0°C to 70°C
- RoHS compliant and Lead Free



### Applications

- SONET OC-3/SDH STM-1
- Fast Ethernet
- Other Optical Links

### 1. Description

Approved Networks SFP FX Transceiver is a high performance, cost effective module which have a duplex LC optics interface. Standard AC coupled CML for high speed signal and LVTTTL control and monitor signals.

The receiver section uses a PIN receiver and the transmitter uses a 1310nm FP laser, up to 17dB link budge ensure this module SONET OC-3/SDH STM-1 2Km application.

## 2. Absolute Maximum Ratings

Operation in excess of any absolute maximum ratings might cause permanent damage to this module.

| Parameter              | Symbol | Min  | Typ | Max | Unit |
|------------------------|--------|------|-----|-----|------|
| Storage Temperature    | Ts     | -40  |     | 85  | °C   |
| Maximum Supply Voltage | VCC    | -0.5 |     | 4.0 | V    |
| Relative Humidity      | RH     | 0    |     | 85  | %    |

## 3. Recommended Operating Environment

| Parameter                  | Symbol           | Min   | Typ | Max    | Unit |
|----------------------------|------------------|-------|-----|--------|------|
| Case operating Temperature | TC               | 0     |     | 70     | °C   |
| Supply Voltage             | VCC              | 3.135 |     | 3.465  | V    |
| Power Supply Current       | Icc              |       |     | 300    | mA   |
| Inrush Current             | ISURGE           |       |     | Icc+30 | mA   |
| Maximum Power              | P <sub>MAX</sub> |       |     | 1      | W    |

## 4. Electrical Characteristics

(TA = -40 to 85 °C, VCC = 3.0 to 3.6 Volts)

| Transmitter Section:           |           |          |     |          |       |      |
|--------------------------------|-----------|----------|-----|----------|-------|------|
| Parameter                      | Symbol    | Min      | Typ | Max      | Unit  | Note |
| Input differential impedance   | Rin       | 90       | 100 | 110      | Ω     |      |
| Single ended data input swing  | Vin PP    | 250      |     | 1200     | mVp-p |      |
| Transmit Disable Voltage       | VD        | Vcc -1.3 |     | Vcc      | V     | 2    |
| Transmit Enable Voltage        | VEN       | Vee      |     | Vee+0.8  | V     |      |
| Transmit Disable Assert Time   | Tdessert  |          |     | 10       | us    |      |
| Receiver Section:              |           |          |     |          |       |      |
| Parameter                      | Symbol    | Min      | Typ | Max      | Unit  | Note |
| Single ended data output swing | Vout,pp   | 300      |     | 800      | mv    | 3    |
| Data output rise time          | Tr        |          |     | 500      | ps    | 4    |
| Data output fall time          | Tf        |          |     | 500      | ps    | 4    |
| LOS Fault                      | Vlosfault | Vcc -0.5 |     | VCC_host | V     | 5    |
| LOS Normal                     | Vlosnorm  | Vee      |     | Vee+0.5  | V     | 5    |
| Power Supply Rejection         | PSR       | 100      |     |          | mVpp  | 6    |

### Notes:

1. AC coupled.

2. Or open circuit.
3. Into 100 ohm differential termination.
4. 20 – 80 %
5. LOS is LVTTTL. Logic 0 indicates normal operation; logic 1 indicates no signal
6. All transceiver specifications are compliant with a power supply sinusoidal modulation of 20 Hz to 1.5MHz up to specified value applied through the power supply filtering network shown on page 23 of the Small Form-factor Pluggable (SFP) Transceiver Multi-Source Agreement (MSA), September 14, 2000.

**5. Optical Parameters**

(TOP = -40 to 85°C, VCC = 3.135 to 3.465 Volts)

| Transmitter Section:                               |                                            |      |      |                   |      |       |
|----------------------------------------------------|--------------------------------------------|------|------|-------------------|------|-------|
| Parameter                                          | Symbol                                     | Min  | Typ  | Max               | Unit | Notes |
| Center Wavelength                                  | $\lambda_c$                                | 1260 | 1310 | 1360              | nm   |       |
| Spectral Width                                     | $\sigma$                                   |      |      | 7.7               | nm   |       |
| Optical Output Power                               | Pout                                       | -15  |      | -8                | dBm  | 1     |
| Extinction Ratio                                   | ER                                         | 8.2  |      |                   | dB   |       |
| Optical Rise/Fall Time                             | tr / tf                                    |      |      | 500               | ps   | 2     |
| Generated Jitter (peak to peak)                    | Jtxp-p                                     |      |      | 0.07              | UI   | 3     |
| Generated Jitter (rms)                             | JtxRMS                                     |      |      | 0.007             | UI   | 3     |
| Output Eye Mask                                    | Compliant with G.957(class 1 laser safety) |      |      |                   |      |       |
| Receiver Section:                                  |                                            |      |      |                   |      |       |
| Parameter                                          | Symbol                                     | Min  | Typ  | Max               | Unit | Notes |
| Optical Input Wavelength                           | $\lambda_c$                                | 1260 |      | 1600              | nm   |       |
| Receiver Overload                                  | Pol                                        | -8   |      |                   | dBm  | 4     |
| RX Sensitivity                                     | Sen                                        |      |      | -32               | dBm  | 4     |
| RX_LOS Assert                                      | LOS A                                      | -45  |      |                   | dBm  |       |
| RX_LOS De-assert                                   | LOS D                                      |      |      | -33               | dBm  |       |
| RX_LOS Hysteresis                                  | LOS H                                      | 0.5  |      |                   | dB   |       |
| General Specifications:                            |                                            |      |      |                   |      |       |
| Parameter                                          | Symbol                                     | Min  | Typ  | Max               | Unit | Notes |
| Data Rate                                          | BR                                         |      | 155  |                   | Gb/s |       |
| Bit Error Rate                                     | BER                                        |      |      | 10 <sup>-12</sup> |      |       |
| Max. Supported Link Length on 9/125µm SMF@1.25Gb/s | LMAX                                       |      | 2    |                   | km   |       |
| Total System Budget                                | LB                                         | 17   |      |                   | dB   |       |

**Notes:**

1. The optical power is launched into SMF. 20-80%.
2. Jitter measurements taken using Agilent OMNIBERT 718 in accordance with GR-253.
3. Measured with PRBS 2<sup>7-1</sup> at 10<sup>-12</sup> BER

**6. Pin Assignment and Description**

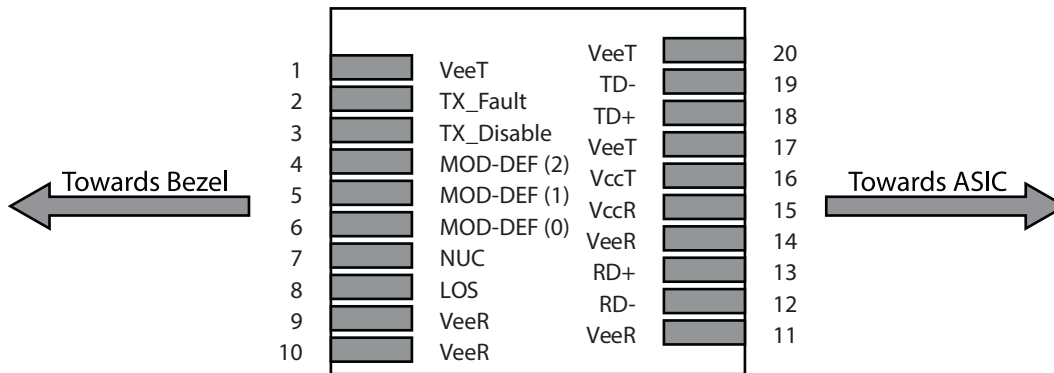


Figure 2. Host Board Connector Block Pin Numbers and Names

**7. Pin Function Definitions**

| Pin No | Name        | Function                     | Plug Seq | Notes |
|--------|-------------|------------------------------|----------|-------|
| 1      | VeeT        | Transmitter Ground           | 1        | 1     |
| 2      | TX Fault    | Transmitter Fault Indication | 3        |       |
| 3      | TX Disable  | Transmitter Disable          | 3        | 2     |
| 4      | MOD-DEF2    | Module Definition            | 2        | 3     |
| 5      | MOD-DEF1    | Module Definition 1          | 3        | 3     |
| 6      | MOD-DEF0    | Module Definition 0          | 3        | 3     |
| 7      | Rate Select | Not Connected                | 3        | 4     |
| 8      | LOS         | Loss of Signal               | 3        | 5     |
| 9      | VeeR        | Receiver Ground              | 1        | 1     |
| 10     | VeeR        | Receiver Ground              | 1        | 1     |
| 11     | VeeR        | Receiver Ground              | 1        |       |
| 12     | RD-         | Inv. Received Data Out       | 3        | 6     |
| 13     | RD+         | Received Data Out            | 3        | 6     |
| 14     | VeeR        | Receiver Ground              | 3        | 1     |
| 15     | VccR        | Receiver Power               | 2        | 1     |
| 16     | VccT        | Transmitter Power            | 2        |       |

| Pin No | Name | Function           | Plug Seq | Notes |
|--------|------|--------------------|----------|-------|
| 17     | VeeT | Transmitter Ground | 1        |       |
| 18     | TD+  | Transmit Data In   | 3        | 6     |
| 19     | TD-  | Inv. Transmit In   | 3        | 6     |
| 20     | VeeT | Transmitter Ground | 1        |       |

**Notes:**

1. Circuit ground is internally isolated from chassis ground.
2. Laser output disabled on TDIS >2.0V or open, enabled on TDIS <0.8V.
3. Should be pulled up with 4.7k - 10 kohms on host board to a voltage between 2.0V and 3.6V. MOD\_DEF(0) pulls line low to indicate module is plugged in.
4. Rate select is not used
5. LOS is open collector output. Should be pulled up with 4.7k – 10 kohms on host board to a voltage between 2.0V and 3.6V. Logic 0 indicates normal operation; logic 1 indicates loss of signal.
6. AC Coupled

**8. SFP Module EEPROM Information and Management**

The SFP modules implement the 2-wire serial communication protocol as defined in the SFP -8472. The serial ID information of the SFP modules can be accessed through the I2C interface at address A0h.

| Base ID Fields |               |                |                                                          |
|----------------|---------------|----------------|----------------------------------------------------------|
| Data Address   | Length (Byte) | Name of Length | Description and Contents                                 |
| 0              | 1             | Identifier     | Type of Serial transceiver (03h=SFP)                     |
| 1              | 1             | Reserved       | Extended identifier of type serial transceiver (04h)     |
| 2              | 1             | Connector      | Code of optical connector type (07=LC)                   |
| 3-10           | 8             | Transceiver    |                                                          |
| 11             | 1             | Encoding       |                                                          |
| 12             | 1             | BR, Nominal    | Nominal baud rate, unit of 100Mbps                       |
| 13-14          | 2             | Reserved       | (0000h)                                                  |
| 15             | 1             | Length(9um)    | Link length supported for 9/125um fiber, units of 100m   |
| 16             | 1             | Length(50um)   | Link length supported for 50/125um fiber, units of 10m   |
| 17             | 1             | Length(62.5um) | Link length supported for 62.5/125um fiber, units of 10m |

| Base ID Fields            |               |                       |                                                                                                       |
|---------------------------|---------------|-----------------------|-------------------------------------------------------------------------------------------------------|
| Data Address              | Length (Byte) | Name of Length        | Description and Contents                                                                              |
| 18                        | 1             | Length(Copper)        | Link length supported for copper, units of meters                                                     |
| 19                        | 1             | Reserved              |                                                                                                       |
| 20-35                     | 16            | Vendor Name           | SFP vendor name                                                                                       |
| 36                        | 1             | Reserved              |                                                                                                       |
| 37-39                     | 3             | Vendor OUI            | SFP transceiver vendor OUI ID                                                                         |
| 40-55                     | 16            | Vendor PN Part Number | Part Number (ASCII)                                                                                   |
| 56-59                     | 4             | Vendor rev            | Revision level for part number                                                                        |
| 60-62                     | 3             | Reserved              |                                                                                                       |
| 63                        | 1             | CCID                  | Least significant byte of sum of data in address 0-62                                                 |
| Extended ID Fields        |               |                       |                                                                                                       |
| Data Address              | Length (Byte) | Name of Length        | Description and Contents                                                                              |
| 64-65                     | 2             | Option                | Indicates which optical SFP signals are implemented (001Ah = LOS, TX_FAULT, TX_DISABLE all supported) |
| 66                        | 1             | BR, max               | Upper bit rate margin, units of %                                                                     |
| 67                        | 1             | BR, min               | Lower bit rate margin, units of %                                                                     |
| 68-83                     | 16            | Vendor SN             | Serial number (ASCII)                                                                                 |
| 84-91                     | 8             | Date code             | Vendor Manufacturing date code                                                                        |
| 92-94                     | 3             | Reserved              |                                                                                                       |
| 95                        | 1             | CCEX                  | Check code for the extended ID Fields (addresses 64 to 94)                                            |
| Vendor Specific ID Fields |               |                       |                                                                                                       |
| Data Address              | Length (Byte) | Name of Length        | Description and Contents                                                                              |
| 96-127                    | 32            | Readable              | Vendor specific date, read only                                                                       |
| 128-255                   | 128           | Reserved              | Reserved for SFF-8079                                                                                 |

### 9. Regulatory Compliance

This transceiver complies with international Electromagnetic Compatibility (EMC) and international safety requirements and standards (see details in Table following).

|                                                           |                                                             |                                        |
|-----------------------------------------------------------|-------------------------------------------------------------|----------------------------------------|
| Electrostatic Discharge (ESD) to the Electrical Pins      | MIL-STD-883E Method 3015.7                                  | Class 1(>1000 V)                       |
| Electrostatic Discharge (ESD) to the Duplex LC Receptacle | IEC 61000-4-2 GR-1089-CORE                                  | Compatible with standards              |
| Electromagnetic Interference (EMI)                        | FCC Part 15 Class BEN55022 Class B (CISPR 22B) VCCI Class B | Compatible with standards              |
| Laser Eye Safety                                          | FDA 21CFR 1040.10 and 1040.11 EN60950, EN (IEC) 60825-1,2   | Compatible with Class 1 laser product. |

### 10. Recommended Circuit

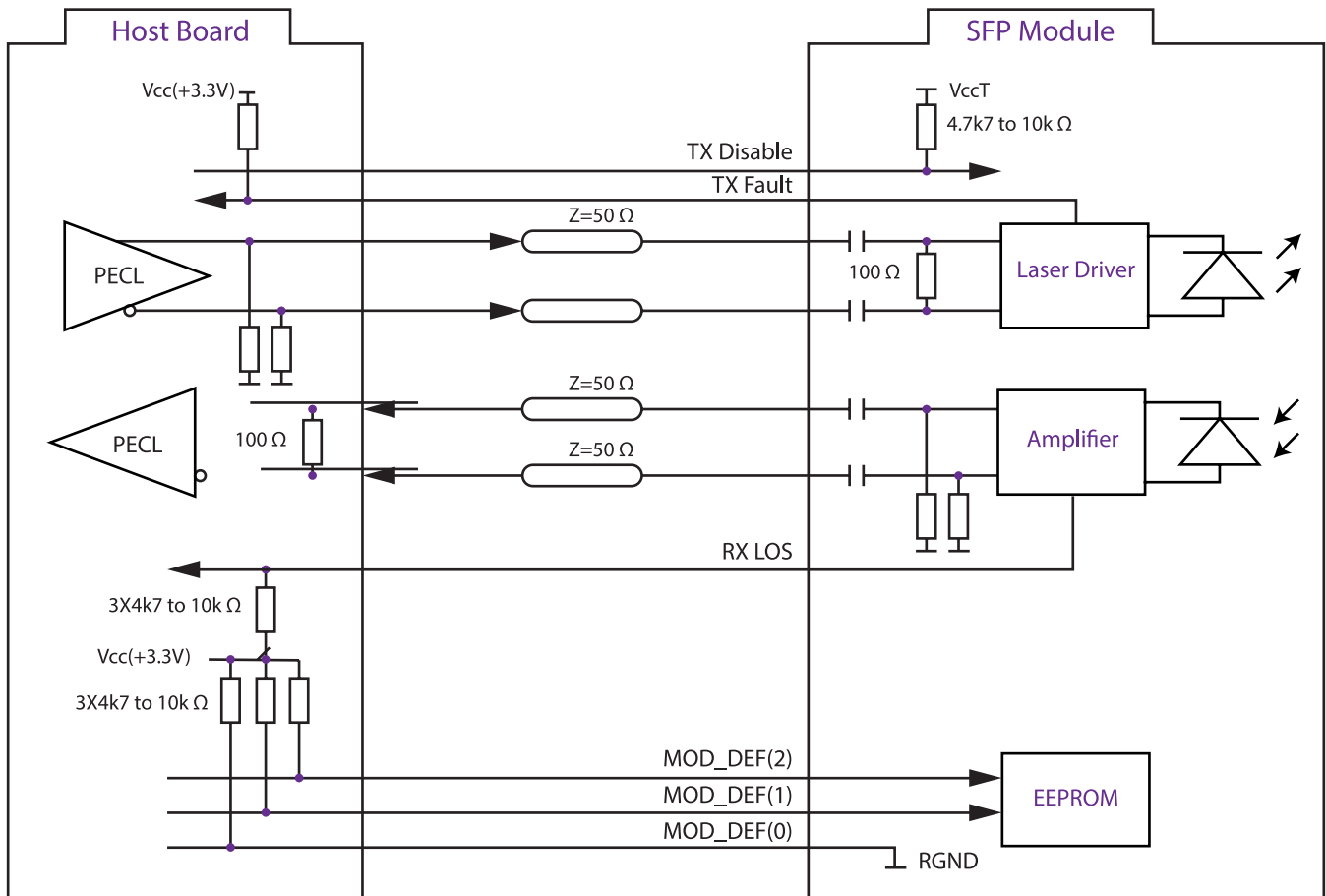


Figure 3. SFP Host Recommended Circuit

# 15454-SFP-200-A

100BASE, SFP, FX, (SM)  
1310 NM, 2 KM REACH, LC

## 11. Mechanical Dimentions

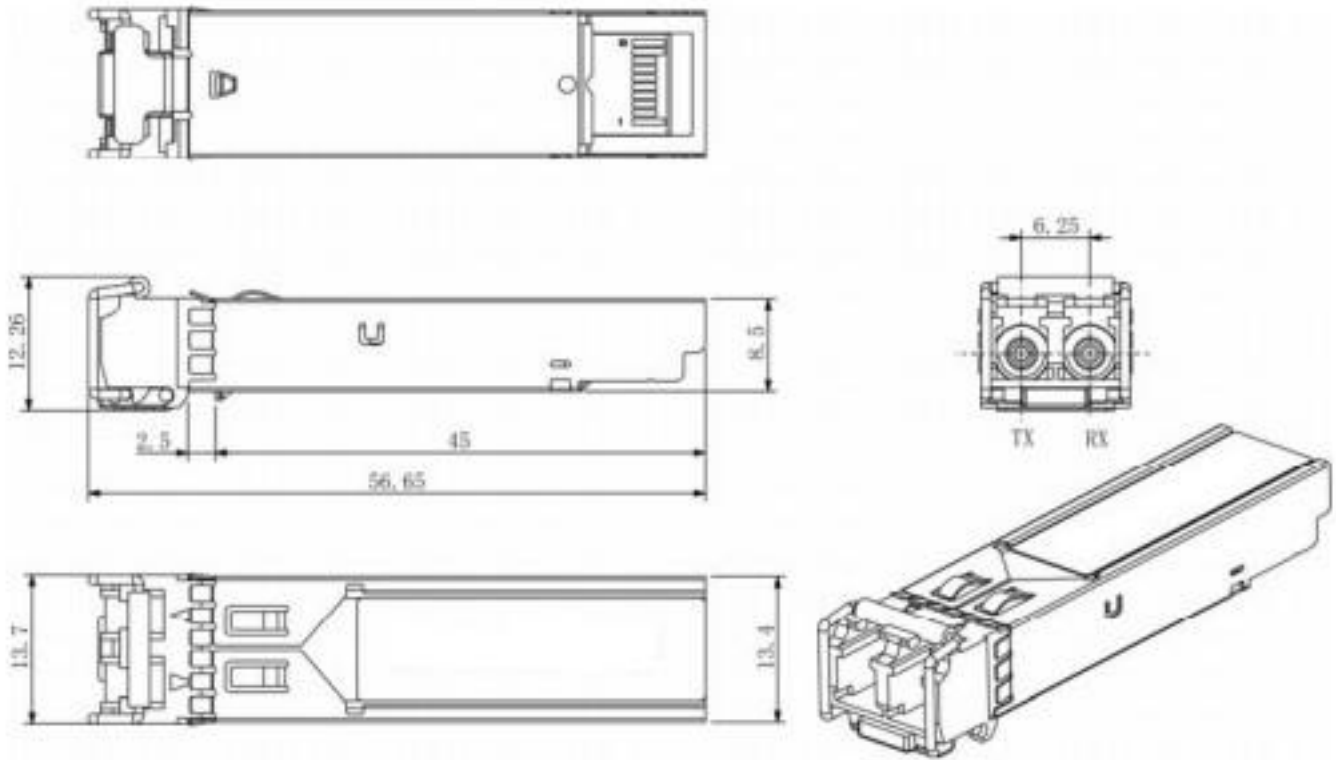


Figure 4. Mechanical Drawing

## 12. Contact Information

Approved Networks is a leading supplier of Network Transceivers and Connectivity products to Channel Partners, Resellers, and OEMs. With more than 9 years of direct industry experience, our products are resident in the most demanding and mission critical functional networks Worldwide. We serve as a Master Distributor to the largest CMs in the world and deploy the most rigorous testing and firmware management programs to bring the highest level of functional product to the market at a cost that makes sense.

Corporate Offices: **Approved Networks, Inc.**

Tel: 800.590.9535

Web: <http://www.approvednetworks.com>