

10G-SFPP-ZR-120KM-A

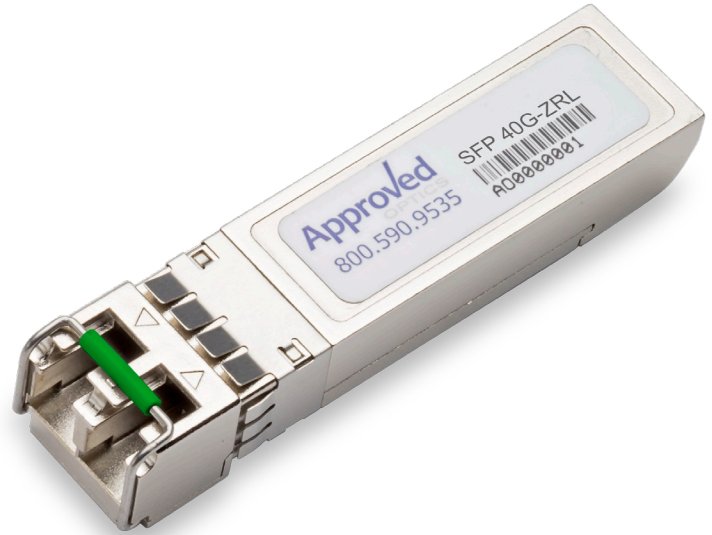
10GBASE, SFP+, ZR, (SM)
1550 NM, 120 KM REACH, LC

10G-SFPP-ZR-120KM-A

10GBASE, SFP+, ZR Transceiver

Features

- Supports 9.95 to 11.3Gb/s bit rates
- Hot-Pluggable
- Duplex LC connector
- 1550nm cooled CML transmitter, APD photo-detector
- SMF links up to 120km
- 2-wire interface for management specifications compliant with SFF 8472 digital diagnostic monitoring interface
- Power Supply :+3.3V
- Power consumption<1.8W
- Temperature Range: 0~ 70°C
- RoHS compliant



Applications

- 10GBASE-ZR/ZW Ethernet
- SONET OC-192 / SDH
- 10G Fibre channel

1. Description:

Approved Networks 10G-SFPP-ZR-120KM-A is a very compact 10Gb/s optical transceiver module for serial optical communication applications at 10Gb/s. The Transceiver converts a 10Gb/s serial electrical data stream to 10Gb/s optical output signal and a 10Gb/s optical input signal to 10Gb/s serial electrical data streams. The high speed 10Gb/s electrical interface is fully compliant with SFI specification.

The high performance 1550nm cooled CML transmitter and high sensitivity APD receiver provide superior performance for Ethernet applications at up to 120km links.

The SFP+ Module compliants with SFF-8431, SFF-8432 and IEEE 802.3ae 10GBASE-ZR. Digital diagnostics functions are available via a 2-wire serial interface, as specified in SFF-8472.

The fully SFP compliant form factor provides hot pluggability, easy optical port upgrades and low EMI emission.

2. Absolute Maximum Ratings

| Parameter | Symbol | Min. | Typical | Max. | Unit |
|----------------------------|--------|------|---------|------|------|
| Storage Temperature | TS | -40 | | +85 | °C |
| Case Operating Temperature | TA | 0 | | 70 | °C |
| Maximum Supply Voltage | Vcc | -0.5 | | 4 | V |
| Relative Humidity | RH | 0 | | 85 | % |

3. Electrical Characteristics (TOP = 0 to 70 °C, VCC = 3.135 to 3.465 Volts)

| Parameter | Symbol | Min. | Typical | Max. | Unit | Note |
|---|------------|-------|---------|----------|------|------|
| Supply Voltage | Vcc | 3.135 | | 3.465 | V | |
| Supply Current | Icc | | | 500 | mA | |
| Power Consumption | P | | | 1.8 | W | |
| Transmitter | | | | | | |
| Parameter | Symbol | Min. | Typical | Max. | Unit | Note |
| Input differential impedance | Rin | | 100 | | Ω | 1 |
| Tx Input Single Ended DC Voltage Tolerance (Ref VeeT) | V | -0.3 | | 4 | V | |
| Differential input voltage swing | Vin,pp | 180 | | 700 | mV | 2 |
| Transmit Disable Voltage | VD | 2 | | Vcc | V | 3 |
| Transmit Enable Voltage | VEN | Vee | | Vee+0.8 | V | |
| Receiver | | | | | | |
| Parameter | Symbol | Min. | Typical | Max. | Unit | Note |
| Single Ended Output Voltage Tolerance | V | -0.3 | | 4 | V | |
| Rx Output Diff Voltage | Vo | 300 | | 850 | mV | |
| Rx Output Rise and Fall Time | Tr/Tf | 30 | | | ps | 4 |
| LOS Fault | VLOS fault | 2 | | Vc-cHOST | V | 5 |
| LOS Normal | VLOS norm | Vee | | Vee+0.8 | V | 5 |

Notes:

1. Connected directly to TX data input pins. AC coupling from pins into laser driver IC.
2. Per SFF-8431 Rev 3.0
3. Into 100 ohms differential termination.
4. 20%~80%

10G-SFP-ZR-120KM-A

10GBASE, SFP+, ZR, (SM)
1550 NM, 120 KM REACH, LC

5. LOS is an open collector output. Should be pulled up with 4.7k – 10kΩ on the host board. Normal operation is logic 0; loss of signal is logic 1. Maximum pull-up voltage is 5.5V.

4. Optical Parameters(TOP = 0 to 70°C, VCC = 3.135 to 3.465 Volts)

| Transmitter Section: | | | | | | |
|--------------------------------|-----------------|------|---------|------|-------|------|
| Parameter | Symbol | Min. | Typical | Max. | Unit | Note |
| Center Wavelength | λ_t | 1530 | 1550 | 1565 | nm | |
| spectral width | $\Delta\lambda$ | | | 0.3 | nm | |
| Average Optical Power | Pavg | 0 | | +5 | dBm | 1 |
| Optical Power OMA | Poma | -2.1 | | | dBm | |
| Laser Off Power | Poff | | | -30 | dBm | |
| Extinction Ratio | ER | 8.2 | | | dB | |
| Transmitter Dispersion Penalty | TDP | | | 3.0 | dB | 2 |
| Relative Intensity Noise | Rin | | | -128 | dB/Hz | 3 |
| Optical Return Loss Tolerance | | 21 | | | dB | |
| Receiver Section: | | | | | | |
| Parameter | Symbol | Min. | Typical | Max. | Unit | Note |
| Center Wavelength | λ_r | 1260 | | 1600 | nm | |
| Receiver Sensitivity | Sen | | | -24 | dBm | 4 |
| Los Assert | LOSA | -34 | | - | dBm | |
| Los Dessert | LOSD | | | -24 | dBm | |
| Los Hysteresis | LOSH | 0.5 | | | dB | |
| Overload | Sat | -7 | | | dBm | 5 |
| Receiver Reflectance | Rrx | | | -26 | dB | |

Notes:

1. Average power figures are informative only, per IEEE802.3ae.
2. TWDP figure requires the host board to be SFF-8431 compliant. TWDP is calculated using the Matlab code provided in clause 68.6.6.2 of IEEE802.3ae.
3. 12dB reflection.
4. Conditions of stressed receiver tests per IEEE802.3ae. CSRS testing requires the host board to be SFF-8431 compliant.
5. Receiver overload specified in OMA and under the worst comprehensive stressed condition.

5. Pin Assignment

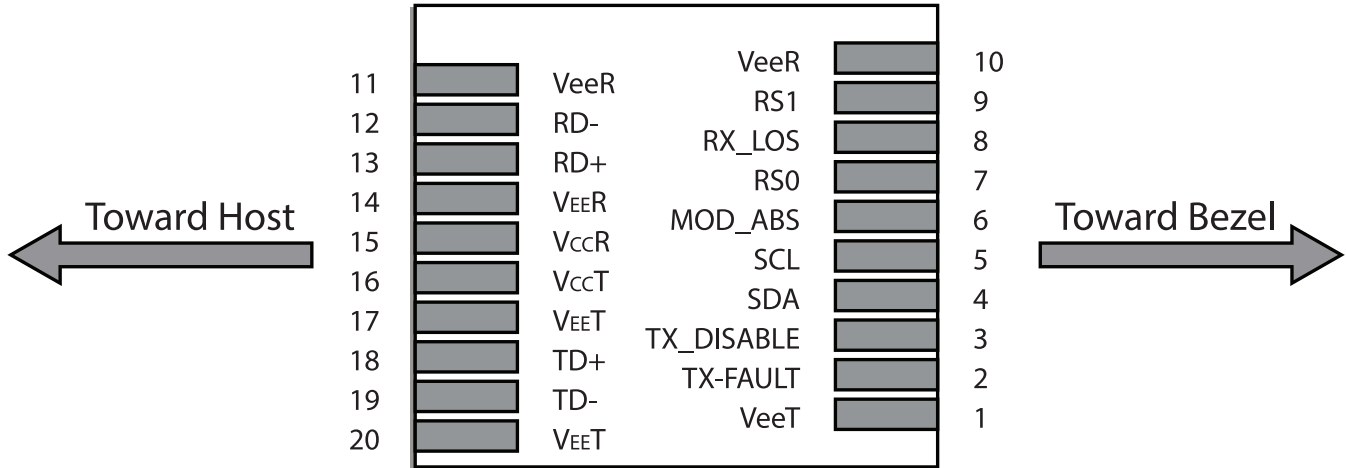


Figure 1: Module Interface to Host

6. Pin Function Definitions

| PIN # | Name | Function | Notes |
|-------|------------------|---|-------|
| 1 | VeeT | Module transmitter ground | 1 |
| 2 | Tx Fault | Module transmitter fault | 2 |
| 3 | Tx Disable | Transmitter Disable; Turns off transmitter laser output | 3 |
| 4 | SDL | 2 wire serial interface data input/output (SDA) | |
| 5 | SCL | 2 wire serial interface clock input (SCL) | |
| 6 | MOD-ABS | Module Absent, connect to VeeR or VeeT in the module | 2 |
| 7 | RS0 | Rate select0, optionally control SFP+ receiver. When high, input data rate >4.5Gb/ s; when low, input data rate <=4.5Gb/s | |
| 8 | LOS | Receiver Loss of Signal Indication | 4 |
| 9 | RS1 | Rate select0, optionally control SFP+ transmitter. When high, input data rate >4.5Gb/s; when low, input data rate <=4.5Gb/s | |
| 10 | VeeR | Module receiver ground | 1 |
| 11 | VeeR | Module receiver ground | 1 |
| 12 | RD- | Receiver inverted data out put | |
| 13 | RD+ | Receiver non-inverted data out put | |
| 14 | VeeR | Module receiver ground | 1 |
| 15 | Vcc _R | Module receiver 3.3V supply | |
| 16 | Vcc _T | Module transmitter 3.3V supply | |
| 17 | VeeT | Module transmitter ground | 1 |
| 18 | TD+ | Transmitter inverted data out put | |
| 19 | TD- | Transmitter non-inverted data out put | |
| 20 | VeeT | Module transmitter ground | 1 |

Notes:

1. The module ground pins shall be isolated from the module case.
2. This pin is an open collector/drain output pin and shall be pulled up with 4.7K-10Kohms to Host_Vcc on the host board.
3. This pin shall be pulled up with 4.7K-10Kohms to VccT in the module.
4. This pin is an open collector/drain output pin and shall be pulled up with 4.7K-10Kohms to Host_Vcc on the host board.

7. SFP Module EEPROM Information and Management

The SFP modules implement the 2-wire serial communication protocol as defined in the SFP -8472. The serial ID information of the SFP modules and Digital Diagnostic Monitor parameters can be accessed through the I2C interface at address A0h and A2h. The memory is mapped in Table 1. Detailed ID information (A0h) is listed in Table 2. And the DDM specification at address A2h. For more details of the memory map and byte definitions, please refer to the SFF-8472, "Digital Diagnostic

Monitoring Interface for Optical Transceivers". The DDM parameters have been internally calibrated.

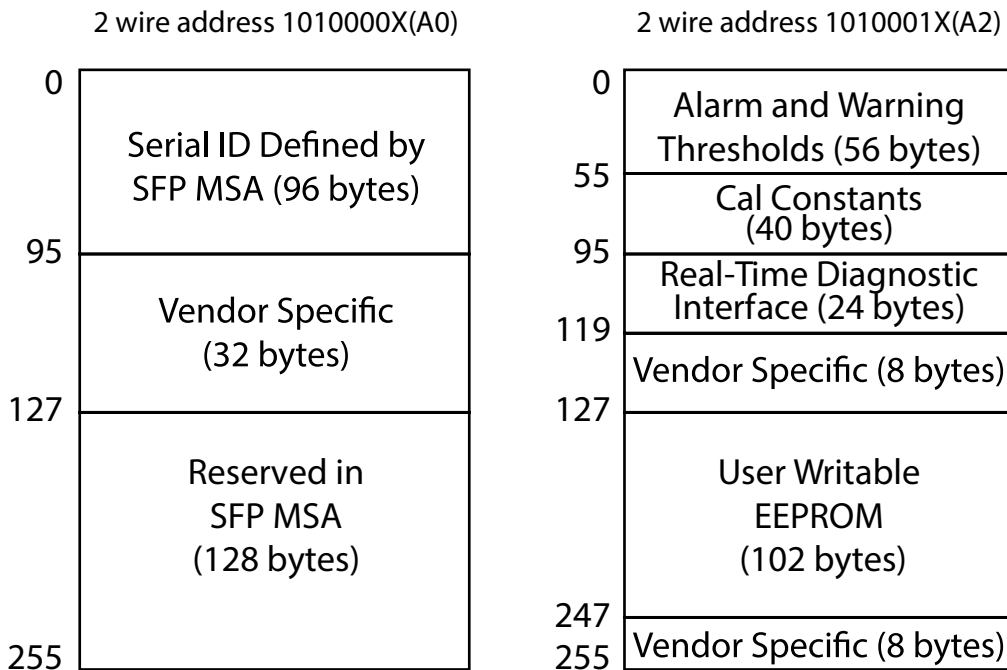


Figure 2: Digital Diagnostic Memory Map (Specific Data Field Descriptions)

10G-SFP-ZR-120KM-A

10GBASE, SFP+, ZR, (SM)
1550 NM, 120 KM REACH, LC

| Base ID Fields | | | |
|--------------------|---------------|----------------|---|
| Data Address | Length (Byte) | Name of Length | Description and Contents |
| 0 | 1 | Identifier | Type of Serial transceiver (03h=SFP) |
| 1 | 1 | Reserved | Extended identifier of type serial transceiver (04h) |
| 2 | 1 | Connector | Code of optical connector type (07=LC) |
| 3-10 | 8 | Transceiver | 10G Base-ZR |
| 11 | 1 | Encoding | 64B/66B |
| 12 | 1 | BR, Nominal | Nominal baud rate, unit of 100Mbps |
| 13-14 | 2 | Reserved | (0000h) |
| 15 | 1 | Length(9um) | Link length supported for 9/125um fiber, units of 100m |
| 16 | 1 | Length(50um) | Link length supported for 50/125um fiber, units of 10m |
| 17 | 1 | Length(62.5um) | Link length supported for 62.5/125um fiber, units of 10m |
| 18 | 1 | Length(Copper) | Link length supported for copper, units of meters |
| 19 | 1 | Reserved | |
| 20-35 | 16 | Vendor Name | SFP vendor name: ASCENTOPTICS |
| 36 | 1 | Reserved | |
| 37-39 | 3 | Vendor OUI | SFP transceiver vendor OUI ID |
| 40-55 | 16 | Vendor PN | Part Number (ASCII) |
| 56-59 | 4 | Vendor rev | Revision level for part number |
| 60-62 | 3 | Reserved | |
| 63 | 1 | CCID | Least significant byte of sum of data in address 0-62 |
| Extended ID Fields | | | |
| Data Address | Length (Byte) | Name of Length | Description and Contents |
| 64-65 | 2 | Option | Indicates which optical SFP signals are implemented (001Ah = LOS, TX_FAULT, TX_DISABLE all supported) |
| 66 | 1 | BR, max | Upper bit rate margin, units of % |
| 67 | 1 | BR, min | Lower bit rate margin, units of % |
| 68-83 | 16 | Vendor SN | Serial number (ASCII) |
| 84-91 | 8 | Date code | Approved Networks Manufacturing date code |
| 92-94 | 3 | Reserved | |
| 95 | 1 | CCEX | Check code for the extended ID Fields (addresses 64 to 94) |

10G-SFP-ZR-120KM-A

10GBASE, SFP+, ZR, (SM)
1550 NM, 120 KM REACH, LC

| Vendor Specific ID Fields | | | |
|---------------------------|---------------|----------------|--|
| Data Address | Length (Byte) | Name of Length | Description and Contents |
| 96-127 | 32 | Readable | Approved Networks specific date, read only |
| 128-255 | 128 | Reserved | Reserved for SFF-8079 |

8. Digital Diagnostic Monitor Characteristics

| Data Address | Parameter | Accuracy | Unit |
|--------------|----------------------------------|----------|------|
| 96-97 | Transceiver Internal Temperature | ±3.0 | °C |
| 98-99 | VCC3 Internal Supply Voltage | ±3.0 | % |
| 100-101 | Laser Bias Current | ±10 | % |
| 102-103 | Tx Output Power | ±3.0 | dB |
| 104-105 | Rx Input Power | ±3.0 | dB |

9. Regulatory Compliance

The transceiver complies with international Electromagnetic Compatibility (EMC) and international safety requirements and standards (see details in Table following).

| | | |
|---|--|--|
| Electrostatic Discharge (ESD) to the Electrical Pins | MIL-STD-883E Method 3015.7 | Class 1(>1000 V) |
| Electrostatic Discharge (ESD) to the Duplex LC Receptacle | IEC 61000-4-2 GR-1089-CORE | Compatible with standards |
| Electromagnetic Interference (EMI) | FCC Part 15 Class B EN55022 Class B (CISPR 22B) VCCI Class B | Compatible with standards |
| Laser Eye Safety | FDA 21CFR 1040.10 and 1040.11 EN60950, EN (IEC) 60825-1,2 | Compatible with Class 1 laser product. |

10G-SFPP-ZR-120KM-A

10GBASE, SFP+, ZR, (SM)
1550 NM, 120 KM REACH, LC

10. Recommended Circuit

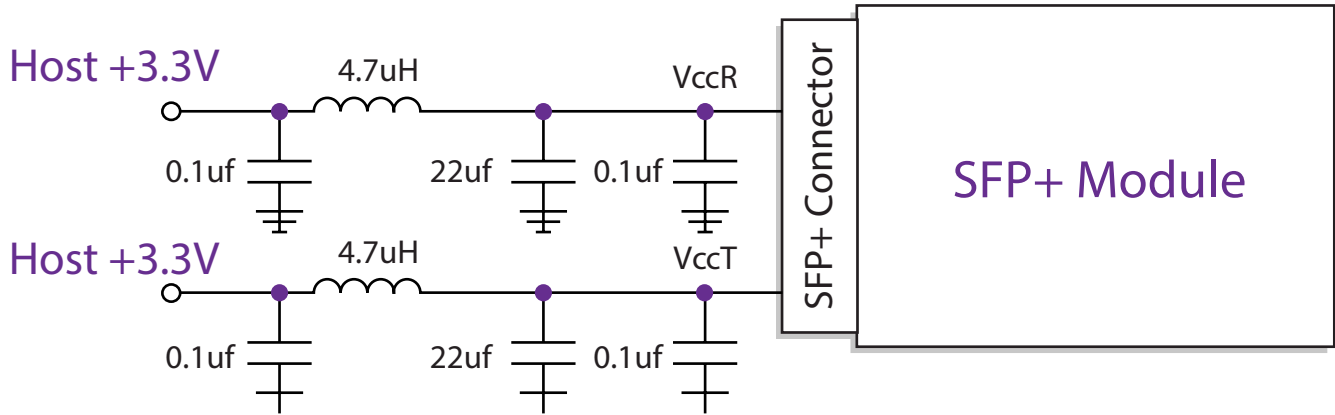


Figure 3: Recommended Host Board Power Supply Circuit

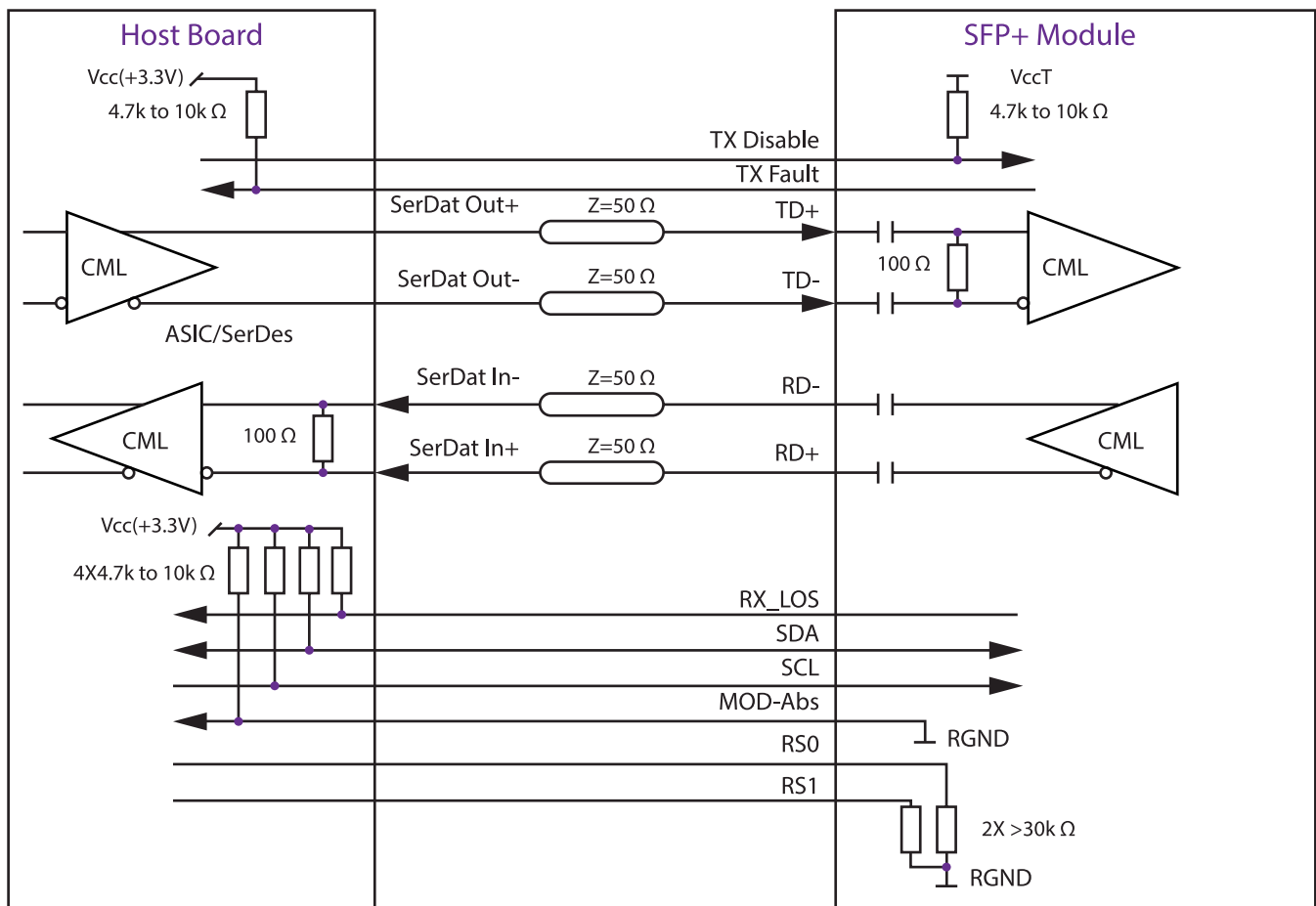
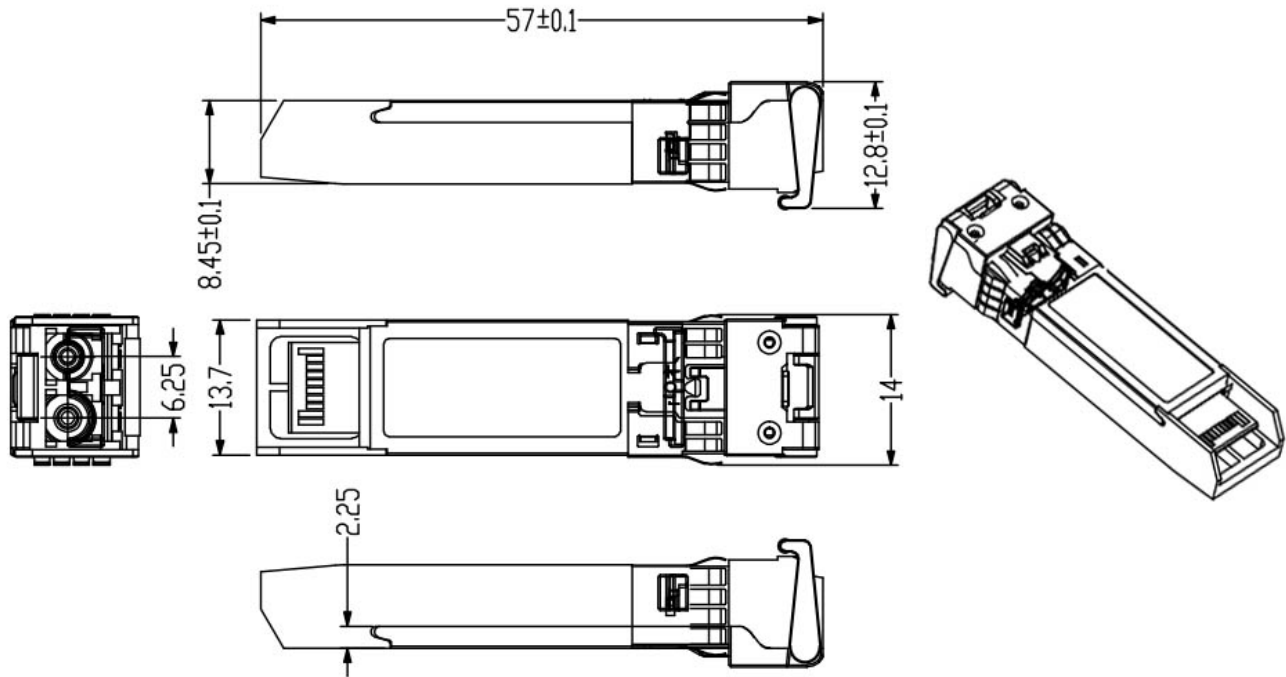


Figure 4: Recommended High-speed Interface Circuit

10G-SFPP-ZR-120KM-A

10GBASE, SFP+, ZR, (SM)
1550 NM, 120 KM REACH, LC

11. Mechanical Dimensions



12. Contact Information

Approved Networks is a leading supplier of Network Transceivers and Connectivity products to Channel Partners, Resellers, and OEMs. With more than 9 years of direct industry experience, our products are resident in the most demanding and mission critical functional networks Worldwide. We serve as a Master Distributor to the largest CMs in the world and deploy the most rigorous testing and firmware management programs to bring the highest level of functional product to the market at a cost that makes sense.

Corporate Offices: **Approved Networks, Inc.**

Tel: 800.590.9535

Web: <http://www.approvednetworks.com>